

---

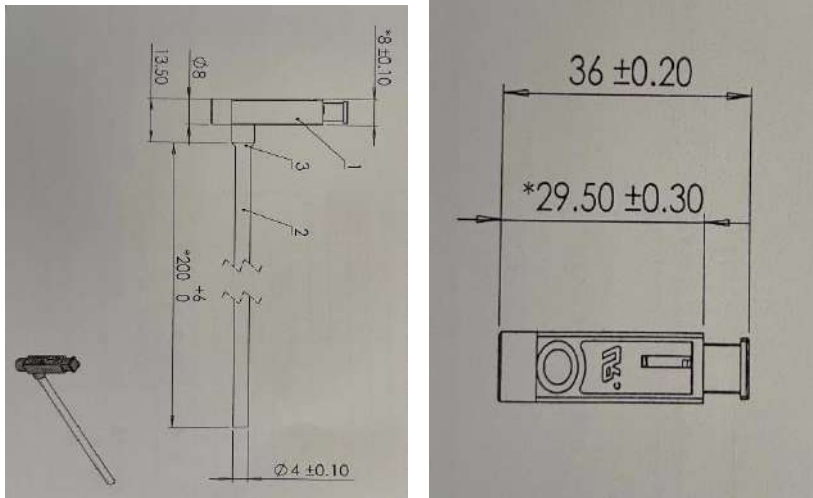
压电陶瓷点火器规格书  
Piezoelectric Ceramic Specification

Product specification 产品型号:

**JYYQ620-H95/B1-T114**

**1. 产品型号 (Product Number) : JYYQ620-H95/B1-T114**

**2. 尺寸和外观 (Dimension) :**



**3. 产品外观要求(Product Appearance):**

3-1 颜色(Color): Black

3-2 外观质量要求(Surface quality requirements)

产品外观良好, 无破损、污渍(Good products appearance, no damage , besmirch)

**4. 产品性能(Product performance):**

4.1 操作力(Operating Force) $\leq 2.9\text{kg}$ ;

4.2 火距(spark distance test) $\geq 6\text{mm}$ ;

4.2 原始输出电压(Initial output voltage) $\geq 14.0\text{KV}$ ;

4.3 后续输出电压(Subsequent output voltage):  $9.7\text{kV}$ ;

4.4 耐久次数(Durability times): 12000 times;

4.5 最后输出火距(Distance of discharge):  $\geq 4\text{mm}$ ;

4.6 绝缘性(Insulation resistance):

在常温下, 导体通过 500V 直流电, 导体和绝缘层之间的阻抗 $\geq 100\text{M}\Omega$ ;

In the normal temperature , Insulation resistance between electrode wire and ground is to be  $100\text{M}\Omega$  or higher measured by 500V Megger;

4.7 抗潮湿性:(Humidity resistance):

在  $60^\circ\text{C}/90\%$ 潮湿或更高条件下经过 1 小时后, 输出电压下降 20%; 恢复到室温时, 输出电压将恢复到原电压 88%;

After 1 hour at  $60^\circ\text{C}/90\%$  humidity or higher, the output voltage will drop by 20%; when it returns to room temperature, the output voltage will return to 88% of the original voltage;

#### 4.8 抗热性能(Heat resistance):

在 60°C高温容器中连续 1 小时的条件下,塑胶件或高压导线无明显外部变化; 加热后, 输出电压最大减少 20%; 恢复到正常温度后, 输出电压应恢复到加热前电压 88%。

Under the condition of continuous 1 hour in the high temperature container of 60°C, there is no obvious external change in the plastic parts or high-voltage wires;

After heating, the output voltage is reduced by a maximum of 20%;

After returning to normal temperature, the output voltage should return to 88% of the voltage before heating.

### 5. 产品包装(Packaging)

5.1 主要材料(Material) : 瓦楞纸箱(corrugated box)

5.2 外箱尺寸(Carton Dimension) : 410mm×340mm×150mm;

5.3 包装袋(Packing Bag ): 800mm×750mm;

5.4 自封袋(packing bag ): 230mm×310mm;

5.5 包装数量(Quantity): 2000PCS;

5.6 包装标示 (Label): 产品名称、规格、数量、批号(Product name , specification and quantity , Lot No.)