

# 压电陶瓷点火器规格书

## Piezoelectric Ceramic Specification

Product specification 产品型号:

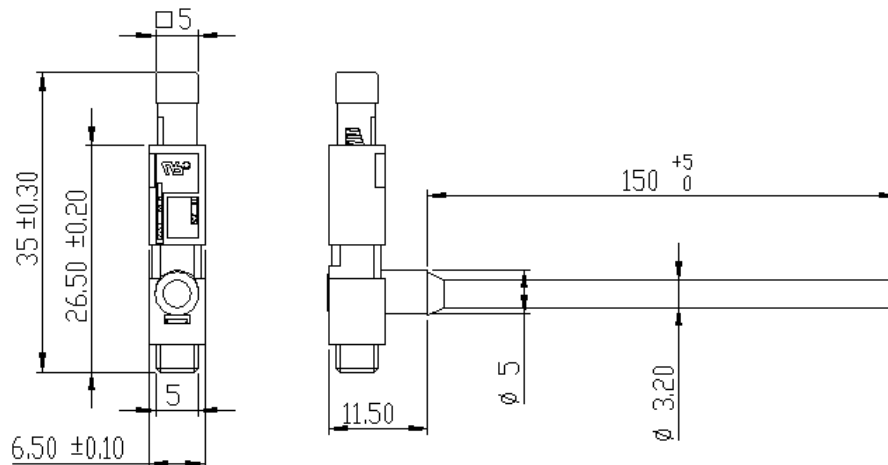
JYYQ620-65/B3-L50

# 压电陶瓷点火器规格书

## Piezoelectric Ceramic Specification

### 1. 产品型号 Product Specification: JYYQ620-65/B3-L150

### 2. 外观尺寸 Dimension:



### 3. 产品性能 Product performance:

3.1 颜色 Color、黑色和红色 Black and Red

3.2 外观质量要求 Surface quality requirement:

产品外观良好，无破损、污渍等

Good products appearance, no damage ,besmirch etc. .。

3.3 机械性能 Mechanical performance:

3.3.1 操作力 Operating Force:  $\leq 2.4\text{kg}$ ;

3.3.2 导线粘接力 Wire bonding force  $\geq 3\text{kg}$

3.4 火距 Distance of discharge:  $\geq 4\text{mm}$ ;

3.5 输出电压 Initial output voltage:  $\geq 11.6\text{KV}$

3.6 耐久次数 Durability times: 12000 strokes;

3.7 最后输出电压 Subsequent output voltage:  $\geq 9.0\text{kV}$

3.8 绝缘性 Insulation resistance:

在常温下，导体通过 500V 直流电，导体和绝缘层之间的阻抗  $\geq 100\text{M}\Omega$ 。

In the normal temperature, Insulation resistance between electrode wire and ground is to be 100MΩ or higher when measured by 500V megger.

### 3.9 抗潮湿性 Humidity resistance:

在 60°C/90%潮湿或更高条件下经过 1 小时后，输出电压下降 20%；恢复到室温时，输出电压将恢复到原电压 88%。

20% output voltage damping factor immediately after leaving for 1 hours under conditions of 60°C/90% humidity or higher; after return to room temperature ,output voltage must return to value before humidification 88%.

### 3.10 抗热性能 Heat resistance:

在 60°C高温容器中连续 1 小时的条件下：

Satisfaction of the following conditions after continuous heating for 1 hours in high-temperature tank at 60°C:

1) 塑胶件或高压导线无明显外部变化

No visible external change of molded case or high-voltage lead wiring .

2) 加热后，输出电压最大减少 20%；恢复到正常温度后，输出电压应恢复到加热前电压 85%。

20%MAX. output voltage damping factor immediately after heating;  
after return to normal temperature, output voltage must return to value before heating 88%.

## 4. 产品包装 The packaging for products :

4.1 主要材料双坑纸箱 Material : 2 tier corrugated Carton;

4.2 包装袋 Packing Bag:230X310mm 800X750mm

4.3 外箱尺寸 Dimension : 410mm×340mm×150mm;

4.4 包装数量 Quantity: 1500PCS;

4.5 包装标示: 产品名称,数量等 Label: Product name and quantity etc.