

SPECIFICATION

客户 (Customer) : _____

产品名称 (Production Name) : _____

金涛峪产品型号 (FSJTY Part No.) _____

客户产品型号 (Customer Part No.) : _____

图纸编号(Drawing No.) _____ 规格书版本 (Version) : _____

Signature of Approval by Customer

--

Signature of FSJTY

Spec for Ultrasonic transducer	Drawing No.	Rev. No.
Model: JTY21R351505B0-01	UT010	A0
Drawing	Approval	Sales Dept.

佛 山 金 涛 峪 电 子 科 技 有 限 公 司

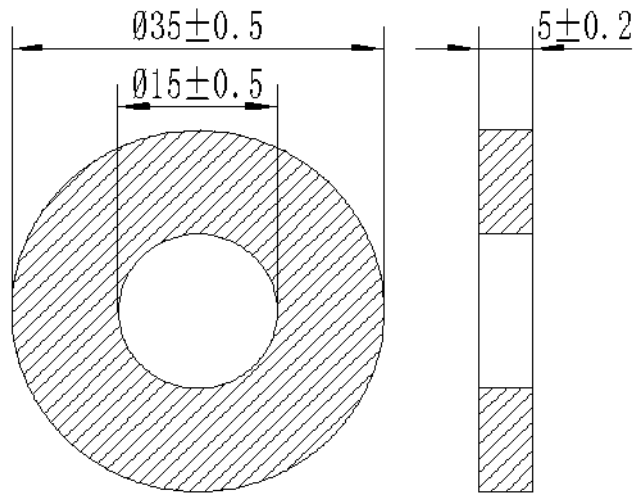
Foshan Jintaoyu Electronics Technology Co., Ltd

1. Application:

This ultrasonic transducer is widely used for the High Frequency Ultrasonic cleaning

2 . Part No.: JYY21R351505B0-01

3. Appearance and Dimension:



unit:mm

4. Electronic performance

No.	Item	Unit	Specification	Test Instructions
1	Resonant Frequency (Fr.)	KHz	45 ± 1	Agilent 4294A
2	Resonant Impedance (Zr)	Ω	≤ 20	
3	Electrical-mechanical coupling coefficient(kp)	/	≥ 0.40	Impedance analyzer
4	Mechanical Quality Factor	Qm	≥ 700	
5	Electrostatic Capacitance (Co)	pF	$1900 \pm 25\%$	at 1000Hz/10Vrms 25°C Digital electric bridge
6	Dielectric Loss	$\tan \delta$	$\leq 0.5\%$	

5. Standard Packing:

Qty/Carton	Carton Size	G.W.(kg)	N.W. (kg)
300pcs	41X27X18.5CM	9.5	8.5

Revision History Record

Revision No.	Date	Page	Description
A0	2016-11-20	/	New Spec