

actual size

# Quartz Crystal · JXE75

## Surface Mount Quartz Crystal

### Features

■ RoHS compliant

■ ceramic/ceramic package

### General Data

type	JXE75
frequency range	6.00 ~ 60.0 MHz (fund. AT-cut)
	28.00 ~ 125.0 MHz (3rd OT AT-cut)
	73.32 ~ 170.0 MHz (5th OT AT-cut) on request
	25.00 ~ 50.0 MHz (fund. BT-cut)
frequency tolerance at 25 °C	± 20 ppm ~ ± 50 ppm
load capacitance $C_L$	12 pF ~ 32 pF or series
shunt capacitance $C_0$	< 7 pF
storage temperature	-40 °C ~ +125 °C
drive level max.	100 µW
aging	< ±5 ppm first year

### ESR (series resistance Rs)

frequency in MHz	vibration mode	ESR max. in $\Omega$	ESR typ. in $\Omega$
6.00 ~ 7.999	fund. - AT	80	40
8.00 ~ 9.999	fund. - AT	60	30
10.0 ~ 15.999	fund. - AT	50	20
16.0 ~ 60.000	fund. - AT	40	15
28.0 ~ 125.00	3rd OT - AT	60	35
73.32 ~ 170.0	5th OT - AT	$\Omega$	$\Omega$
25.0 ~ 50.000	fund. - BT	50	20

### Frequency Stability vs. Temperature

		± 30 ppm	± 50 ppm	± 100 ppm	± 150 ppm	± 200 ppm
-20 °C ~ +70 °C	STD.	○	●			
-40 °C ~ +85 °C	T1		○	●		
-40 °C ~ +105 °C	T2			○	○	
-40 °C ~ +125 °C	T3			○	○	○

● standard  
○ on request

### Marking

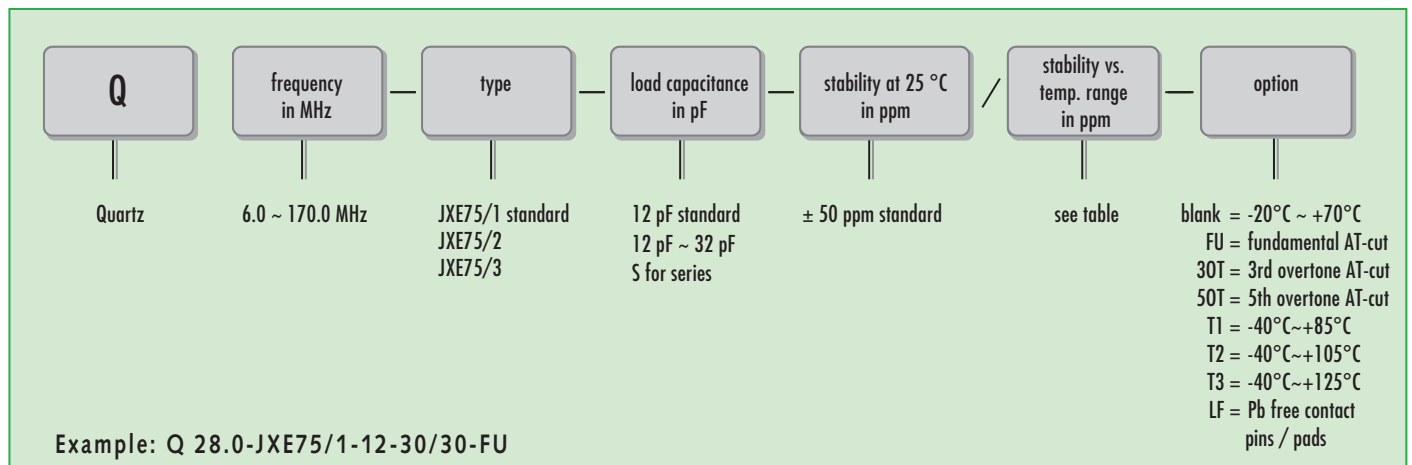
frequency with load capacitance code  
company code / date code / internal code

date code: year/month  
example: 5A = 2005 January

Jan.	Febr.	Mar.	Apr.	May	June
A	B	C	D	E	F

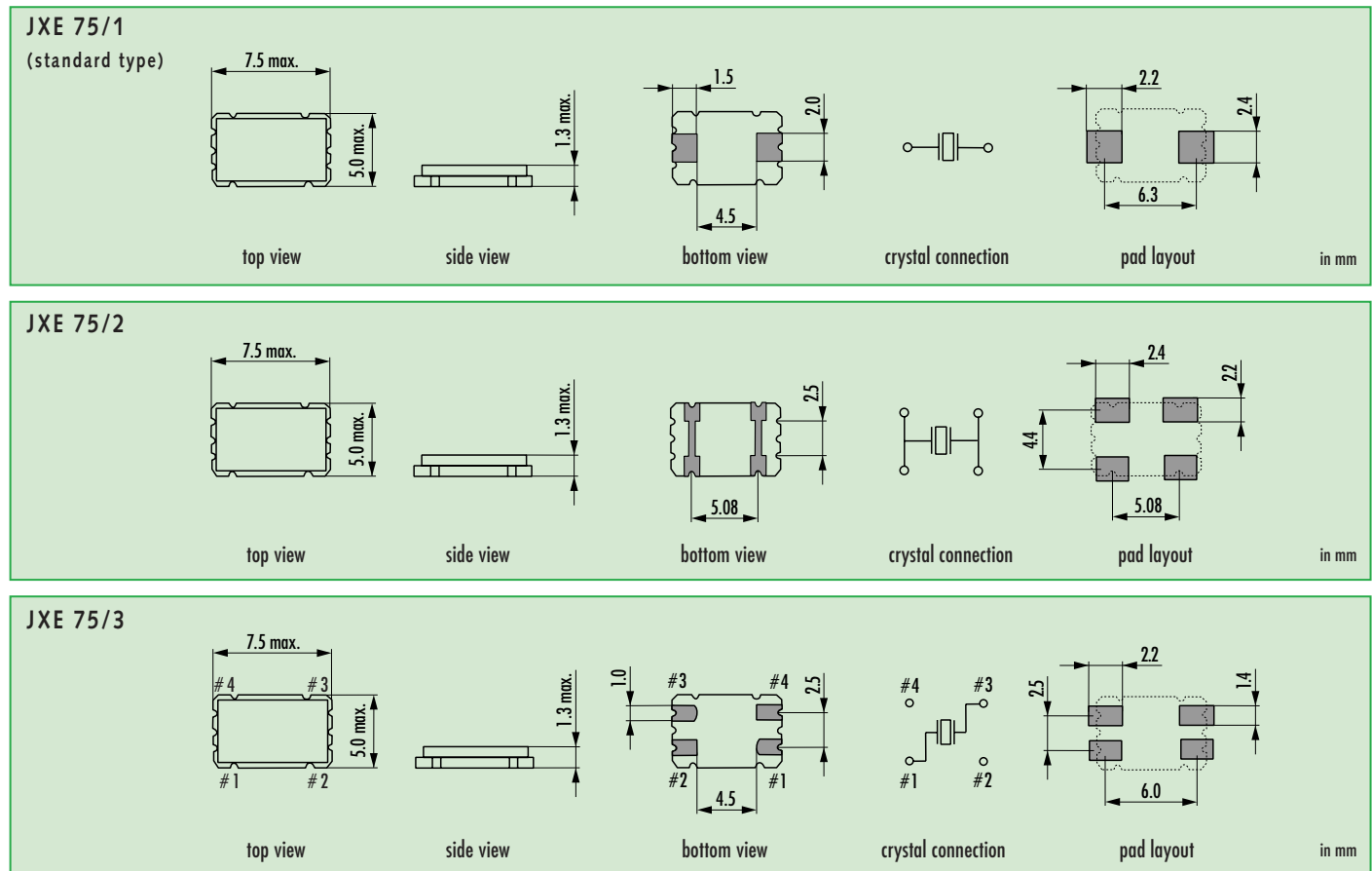
July	Aug.	Sept.	Oct.	Nov.	Dec.
G	H	J	K	L	M

### Order Information

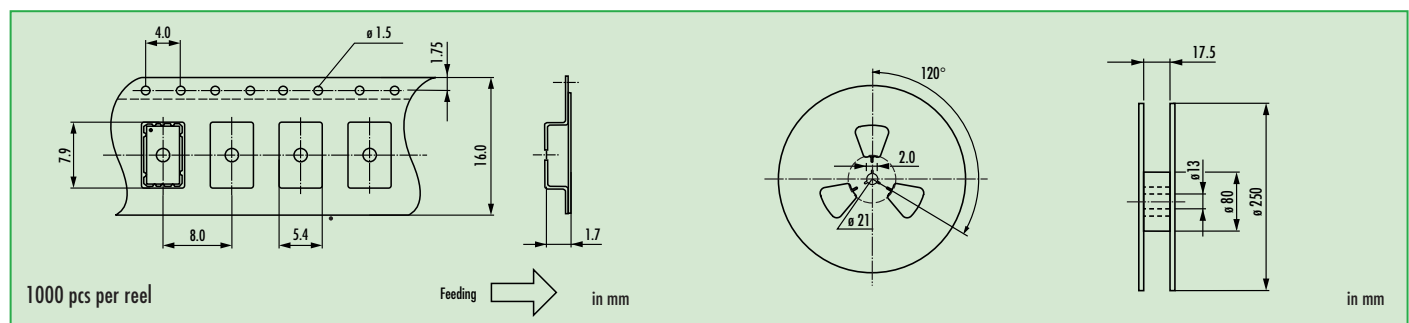


# SMQ series · JXE75

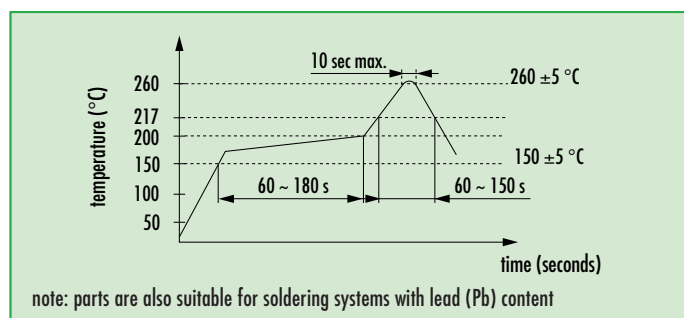
## Dimensions



## Taping Specification



## Reflow Soldering Profile



## Load Capacitance Codes

7 pF: m	12 pF: a	17 pF: t	25 pF: r
8 pF: k	13 pF: v	18 pF: f	27 pF: w
9 pF: n	14 pF: x	20 pF: c	30 pF: .
10 pF: h	15 pF: j	22 pF: g	32 pF: e
11 pF: l	16 pF: b	24 pF: d	series: s
			T: 3rd OT

example 8.0 MHz / 12 pF: 8a000