

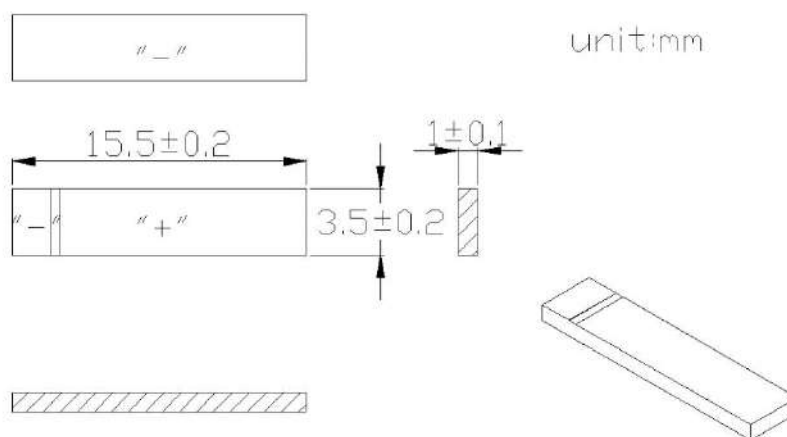
Product Specification

1. Part Number: JHTCJ-P51-15.5X3.5X1.0-C0.6

2. Electronic Performance

| No. | Item | Specifications |
|-----|---|---------------------------|
| 1 | 静态电容 Electrostatic capacitance | $0.6 \pm 20\% \text{nF}$ |
| 2 | 介电损耗 Dielectric loss $\tan\delta$ | $\leq 2\%$ |
| 3 | 谐振频率 Resonant Frequency(F_s) | $2.0 \pm 0.1 \text{MHz}$ |
| 4 | 谐振阻抗 Resonant Impedance | $\leq 50\Omega$ |
| 5 | 反谐振频率 Anti-Resonant Frequency(F_a) | $2.2 \pm 0.1 \text{MHz}$ |
| 6 | 压电陶瓷片长度 L piezoelectric ceramic disc diameter | $15.5 \pm 0.20 \text{mm}$ |
| 7 | 压电陶瓷片宽度 W piezoelectric ceramic disc thickness | $3.5 \pm 0.20 \text{mm}$ |
| 8 | 压电陶瓷片厚度 H piezoelectric ceramic disc thickness | $1.0 \pm 0.1 \text{mm}$ |

3. Appearance and Dimensions



| Drawing | Audit | countersign | standardization | Approval |
|----------|--------|-------------|-----------------|----------|
| Zhongmin | Chutao | Longyakai | Wuchaoyi | Wangyu |