

规格书编号

SPEC NO :

产品规格书

SPECIFICATION

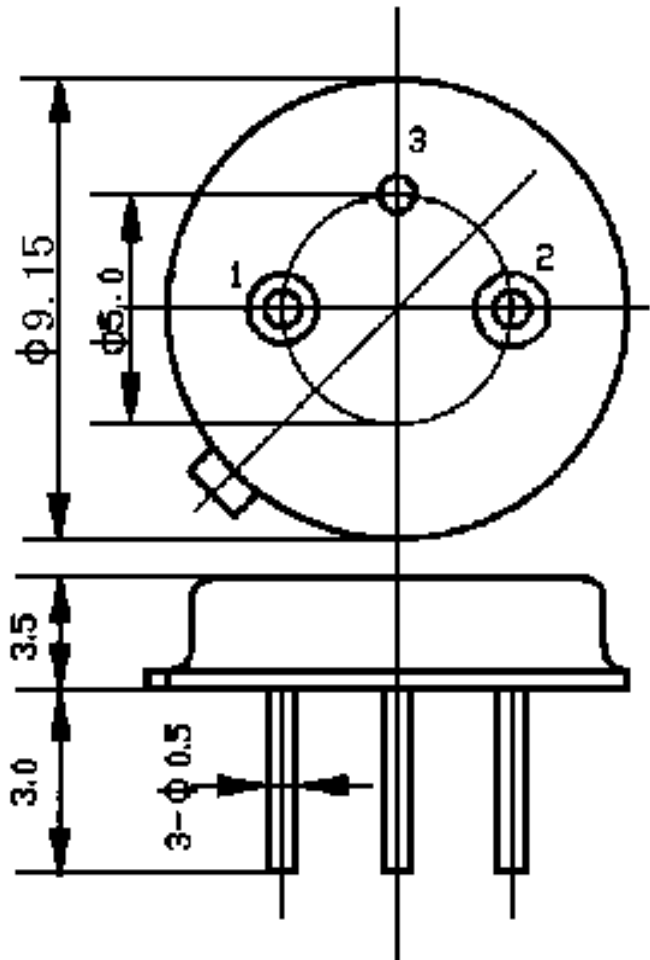
CUSTOMER 客户: _____
PRODUCT 产品: _____ SAW FILTER _____
MODEL NO 型号: _____ HDF480-3 T039 _____
PREPARED 编制: _____ CHECKED 审核: _____
APPROVED 批准: _____ D A T E 日期: _____ 2006-5-11 _____

客户确认 CUSTOMER RECEIVED:		
审核 CHECKED	批准 APPROVED	日期 DATE

无锡市好达电子有限公司
Shoulder Electronics Limited

1. Package Dimension

NO.	Function
1	Input/Output
2	Input/Output
3	GND



2. Marking

HDF480-3

Unit: mm

3. Features

- *IF filter for DSB receivers
- *Constant group delay
- *Improved ESD capability by integrated shunt resistors
- *Optimized group delay time

4. Performance

4-1. Maximum Rating

DC Voltage V_{DC}	0V
AC Voltage V_{PP}	5V(50Hz/60Hz)
Storage Temperature	-40°C to +80°C
Operable Temperature	-25°C to +85°C

4-2 Electronic Characteristics

Characteristics					
Ambient temperature		TA=25°C			
Source impedance		ZS=50Ω			
load impedance		ZL=50Ω			
Characteristics		Minimu	Typical	Maxim	Unit
Insertion attenuation	480.00MHz		20.0	21.5	dB
Reference level for the following data					
Center frequency	fc	479.00	480.00	481.00	MHz
Pass Bandwidth	BW3	25.6	26.6	27.6	MHz
Relative attenuation	466.5MHz		3.0	4.6	dB
	493.5MHz		3.2	4.6	dB
Lower side lobe	430.0-455.5MHz	40.0	46.0		dB
Upper side lobe	504.5-530.0MHz	38.0	43.0		dB
Reflected wave signal suppression	0.15us-2.0us after main pulse	40.0	46.0		dB
Amplitude ripple	473.50-486.50MHz		0.3	0.5	dB
Group delay	480.00MHz		227.5		ns
Group Delay Ripple	467.00-493.00MHz		8.5	15.0	ns
Impedance at 480.00MHz					
	Input $Z_{in}=R_{in} \parallel C_{in}$		60 \parallel 4.8		Ω \parallel pF
	output $Z_{out}=R_{out} \parallel C_{out}$		260 \parallel 3.1		Ω \parallel pF
DC Resistance	Input R_{in}		500		Ω
	Output R_{out}		500		Ω
Temperature coefficient of frequency	TC_f		-86		ppm/k

CAUTION: Electrostatic Sensitive Device. Observe precautions for handling

Frequency Characteristics

