

Approved by:

Checked by:

Issued by:

SPECIFICATION

PRODUCT: SAW FILTER

MODEL: HDBF38A1M



SHOULDER ELECTRONICS LIMITED

1.SCOPE

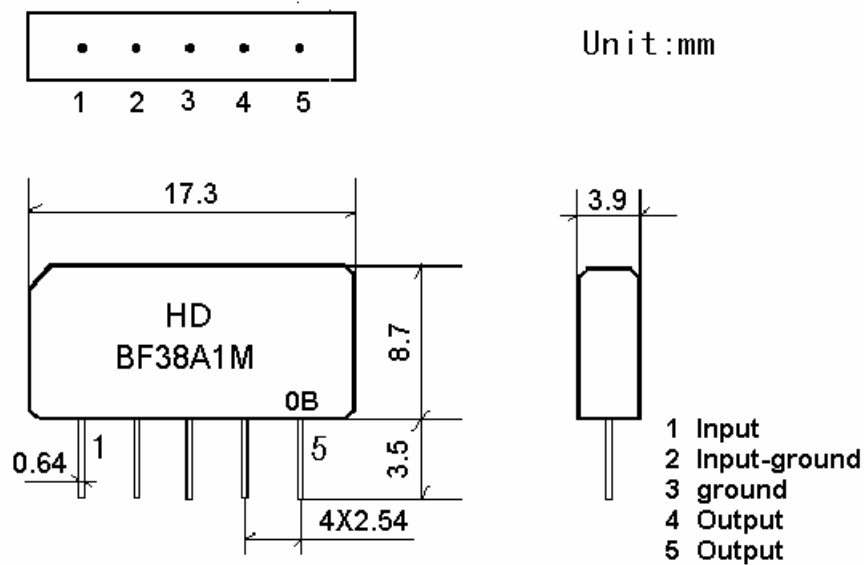
SAW filter series have broad line up products meeting all broadcast standard including NTSC,PAL and SECAM systems. These filters are composed of two interdigital transducers on a single-crystal, piezoelectrical chip. they are used in electronic equipments such as TV and so on.

2.Construction

2.1 Dimension and materials

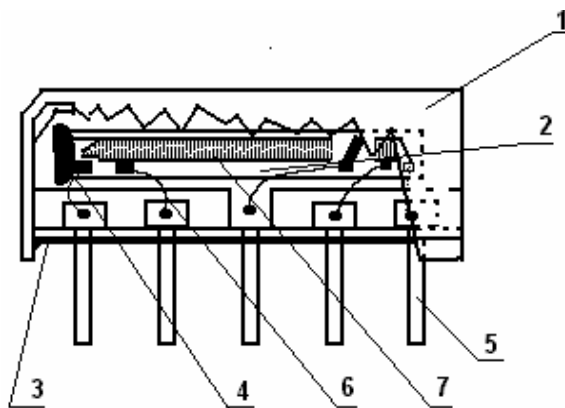
Manufacturer's name : HAODA ELECTRONICS Co. LTD(CHINA)

Type : BF38A1M



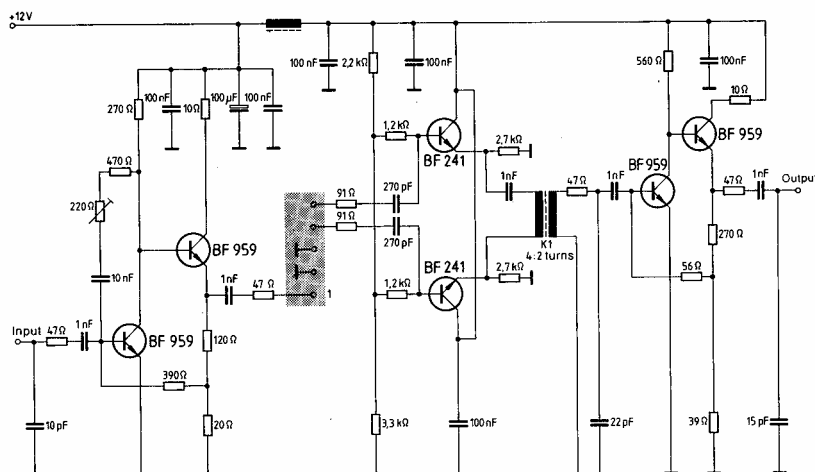
0: year(0,1,2,3,4,5,6,7,8,9)

B:product in this quarter(A:1~3,B:4~6,C:7~9,D:10~12)



Components	Materials
1.Outer casing	PPS
2.Substrate	Lithium tantalate
3.Base	Epoxy resin
4.Absorber	Epoxy resin
5.Lead	Cu alloy+Au plate
6.Bonding wire	AlSi alloy
7.Electrode	Al

2.2. Circuit construction, measurement circuit



Test circuit for SIP-5 filter
Input impedance of the symmetrical post-amplifier: $2\text{ k}\Omega$ in parallel with 3 pF

3.Characteristics

Standard atmospheric conditions

Unless otherwise specified , the standard rang of atmospheric conditions for making measurements and tests is as follows;

- Ambient temperature : 15 to 35
- Relative humidity : 25% to 85%
- Air pressure : 86kPa to 106kPa

Operating temperature rang

Operating temperature rang is the rang of ambient temperatures in which the filter can be

operated continuously. $-10 \sim +60$

Storage temperature rang

Storage temperature rang is the rang of ambient temperatures at which the filter can be stored

without damage.

Conditions are as specified elsewhere in these specifications. $-40 \sim +70$

Reference temperature +25

3.1 Maximum Rating

DC voltage	VDC	12	V	Between any terminals
AC voltage	Vpp	10	V	Between any terminals

3.2 Electrical Characteristics

Source impedance $Z_S=50$
 Load impedance $Z_L=2k \ //3pF$ $T_A=25$

Item	Freq	min	typ	max	
Center frequency	Fo	-	37.95	-	MHz
Insertion attenuation Reference level	37.95MHz	-	-	15.0	dB
Pass bandwidth	B3dB	-	2.0	-	MHz
	B30dB	-	4.1	-	MHz
Sidelobe	30.00~33.00MHz	38.0	47.0		dB
	33.00~35.4MHz	32.0	41.0		dB
	40.4~42.40MHz	32.0	37.0		dB
	42.40~50.00MHz	38.0	45.0		dB
Temperature coefficient		-72			ppm/k

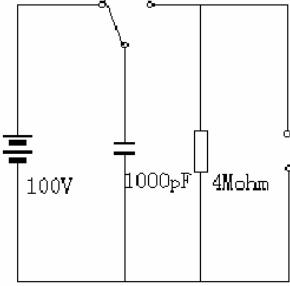
3.3 Environmental Performance Characteristics

Item Test condition	Allowable change of absolute Level at center frequency(dB)
High temperature test 70 1000H	< 1.0
Low temperature test -40 1000H	< 1.0
Humidity test 40 90-95% 1000H	< 1.0
Thermal shock -20 ==25 ==80 20 cycle 30M 10M 30M	< 1.0
Solder temperature test Sold temp.260 for 10 sec.	< 1.0
Soldering Immerse the pins melt solder at 260 +5/-0 for 5 sec.	More then 95% of total area of the pins should be covered with solder

3.4 Mechanical Test

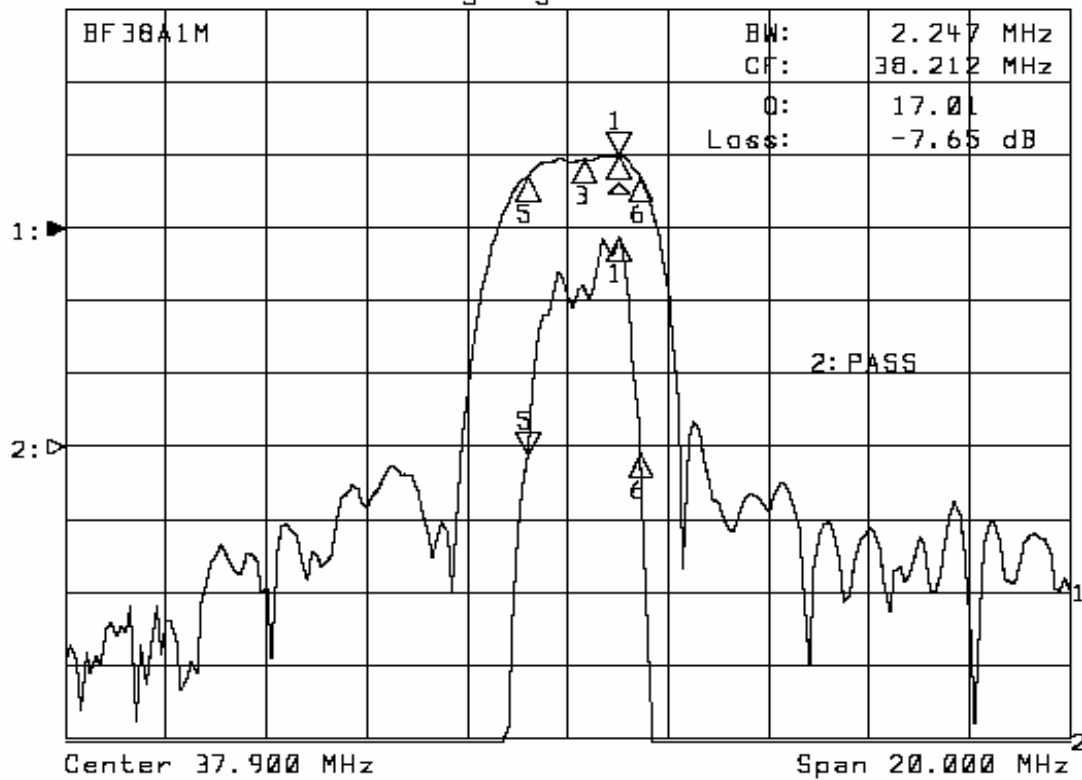
Item Test condition	Allowable change of absolute Level at center frequency(dB)
Vibration test 600-3300rpm amplitude 1.5mm 3 directions 2 H each	<1.0
Drop test On maple plate from 1 m high 3 times	<1.0
Lead pull test Pull with 1 kg force for 30 seconds	<1.0
Lead bend test 90° bending with 500g weigh 2 times	<1.0

3.5 Voltage Discharge Test

Item	Allowable change of absolute
Test condition	Level at center frequency(dB)
Surge test Between any two electrode	<1.0
	

3.6 Frequency response

▶1: Transmission /M Log Mag 10.0 dB/ Ref -17.06 dB
 ▼2: Transmission /M Log Mag 1.0 dB/ Ref -9.84 dB



1: Mkr Δ (MHz)	dB	2: Mkr (MHz)	dB
1> 0.0000	0.000	1: 38.9000	-6.966
3: -0.6880	-0.688		
5: -1.8115	-3.000	5> 37.0885	-9.966
6: 0.4355	-3.000	6: 39.3355	-9.948