

规格书编号

SPEC NO :

产品规格书

SPECIFICATION

CUSTOMER 客户: _____
PRODUCT 产品: _____ SAW FILTER _____
MODEL NO 型号: _____ F3401 _____
PREPARED 编制: _____ CHECKED 审核: _____
APPROVED 批准: _____ D A T E 日期: _____ 2010-7-7 _____

客户确认 CUSTOMER RECEIVED:		
审核 CHECKED	批准 APPROVED	日期 DATE

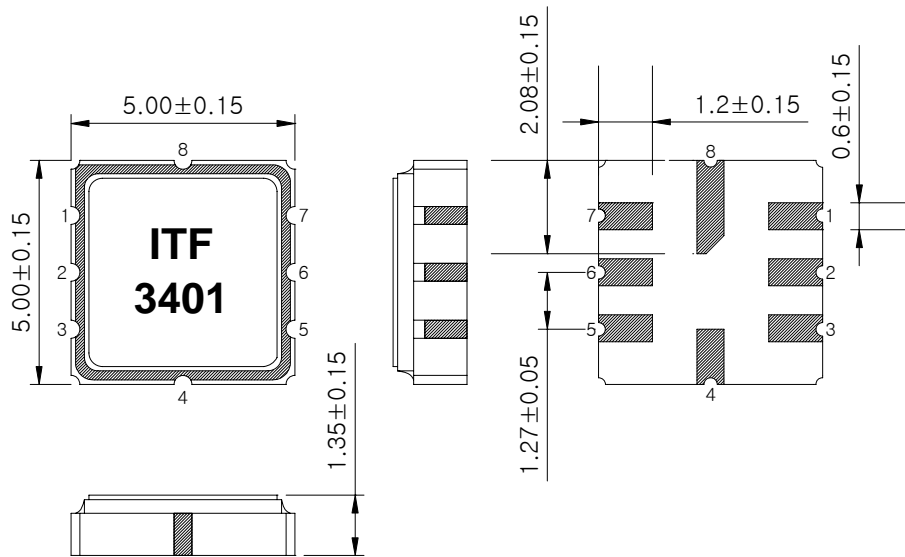
无锡市好达电子有限公司
Shoulder Electronics Limited

更改历史记录 History Record

更改日期 Date	规格书编号 Spec. No.	产品型号 Part No.	客户产品型号 Customer No.	更改内容描述 Modify Content	备注 Remark

Features

- RF bandpass filter
- Usable bandwidth 0.6MHz
- No matching single-ended operation
- Ceramic Surface Mounted Device Package (5.0 mm × 5.0 mm)

Package Dimensions


Dimensions shown are nominal in millimeters

Body : Al_2O_3 Ceramic

Lid : Kovar, Ni Plated

Terminations : Au plating 0.3 ~ 1.0 μm , Over a 1.27 ~ 8.89 μm
Ni Plating

Pin Configurations

2	Input
6	Output
1, 3, 4, 5, 7, 8	Ground

Maximum Ratings

Parameters	Unit	Minimum	Typical	Maximum
Operating Temperature Range	°C	-30	25	70
Storage Temperature Range	°C	-40	-	90
Power Handling Capability	dBm	-	-	10

Electrostatics Sensitive Device (ESD)

Preliminary Specifications

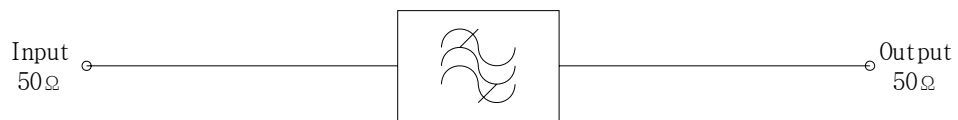
	Minimum	Typical	Maximum	Unit
Center Frequency (Fc)	-	340.0	-	MHz
Insertion Loss	-	3.5	4.5	dB
Pass Bandwidth	0.6	2.0		MHz
Amplitude Ripple (Fc ± 0.3MHz)	-	0.5	1.5	dB
VSWR (Fc ± 0.3MHz)	-	1.5	2.0	
Attenuation ~ Fc -10.7MHz Fc + 10.7MHz ~	40 30	- -	- -	dB
Temperature Range (Operational)	-30	25	70	°C
Input/Output Impedance		50		Ohms

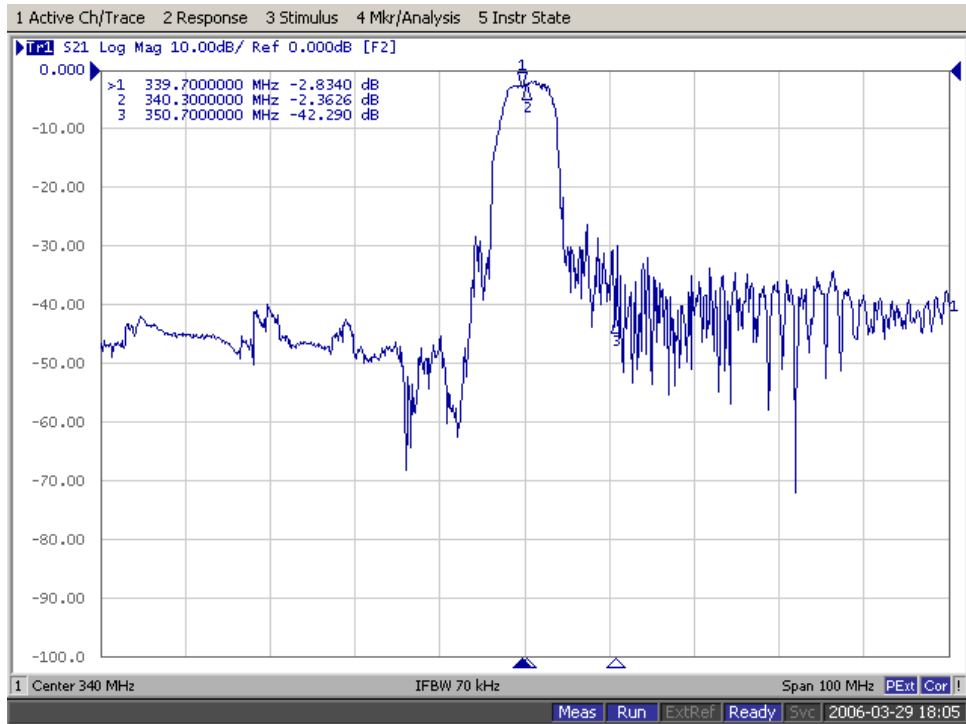
Notes :

- 1) All specifications are based on the matching schematic shown below, measured by Agilent Network analyzer and full 2 port calibration.
- 2) Electrical margin has been built into the design to account for the variations due to temperature drift and manufacturing tolerances

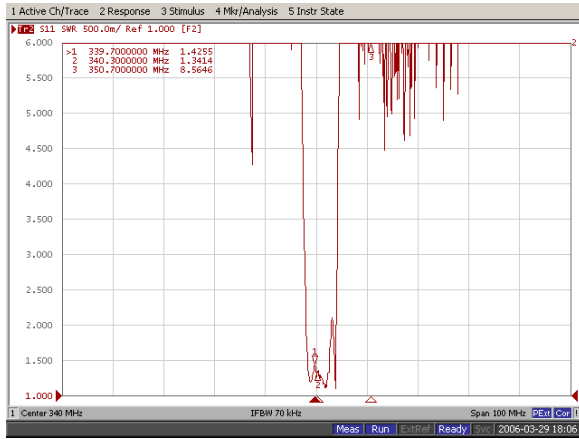
Matching Schematic

(Actual matching values may vary due to PCB layout and parasitics)

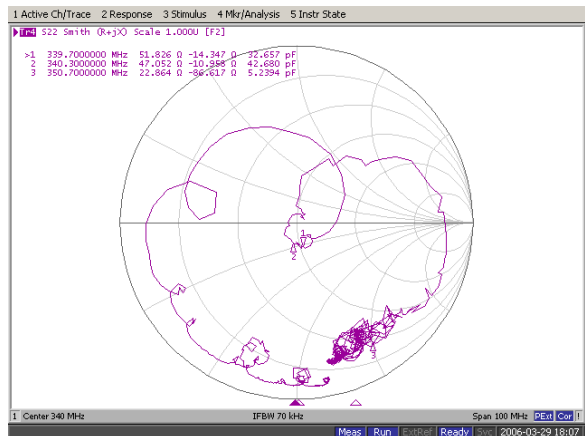
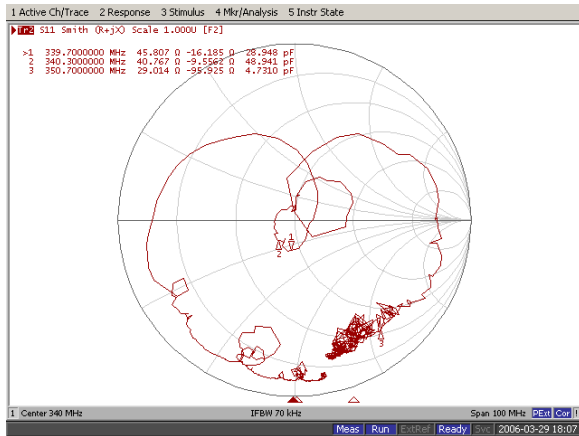


Frequency Response

Input / Output VSWR Charts

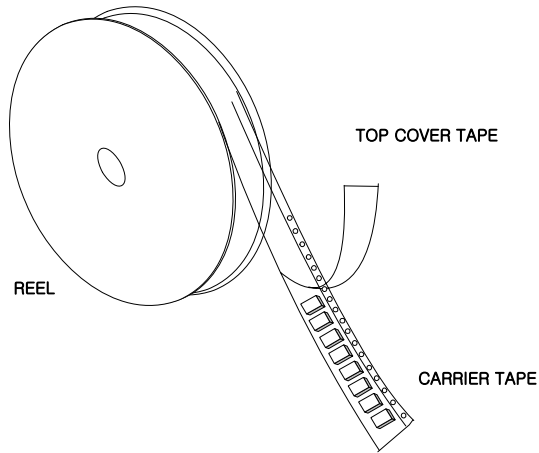


Input / Output Smith Charts



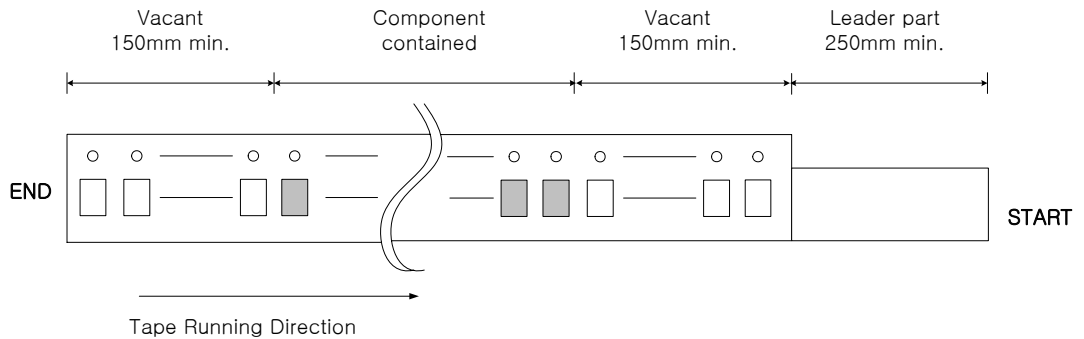
Packing Specification

1. Reeling Quantity : 3000 pcs / 13" reel (or 1000 pcs / 7" reel)
2. Taping Structure : The tape shall be wound around the reel in the direction shown below.



Tape Specification

1. Leader part and vacant position specification

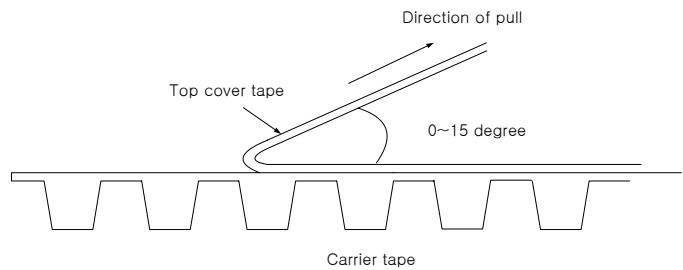


2. Tensile strength of carrier tape

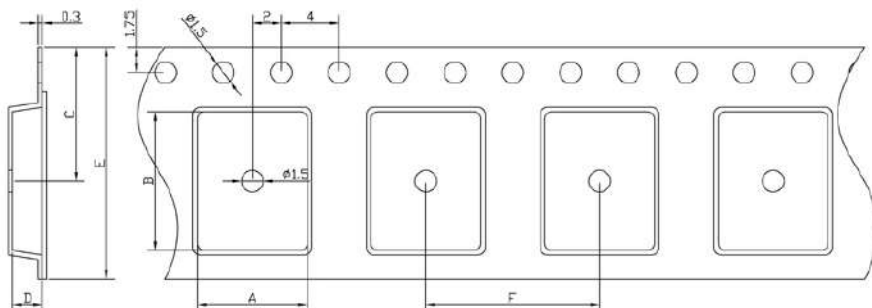
4.4N/mm width

3. Top cover tape adhesion

- 1) pull off angle : 0~15°
- 2) speed : 300mm/min
- 3) force : 20~70g

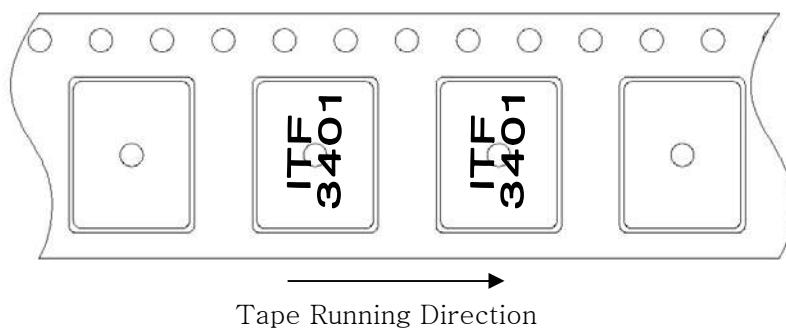


Carrier Tape Dimensions [unit : mm]

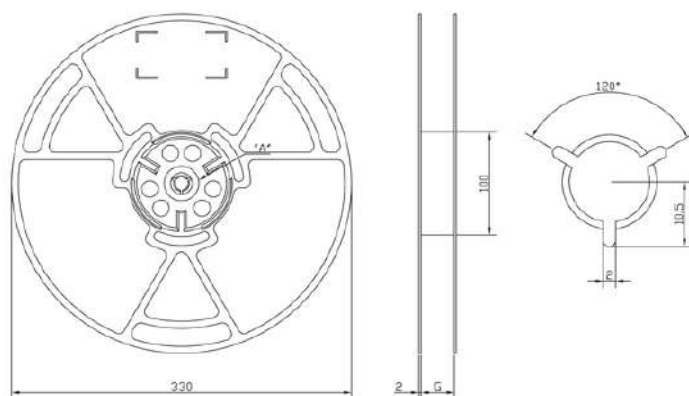


A	5.50 ± 0.1
B	5.50 ± 0.1
C	7.25 ± 0.1
D	1.95 ± 0.1
E	12.00 ± 0.1
F	8.00 ± 0.1

Part Direction



Reel Dimensions [unit : mm]



G = 12.40 mm