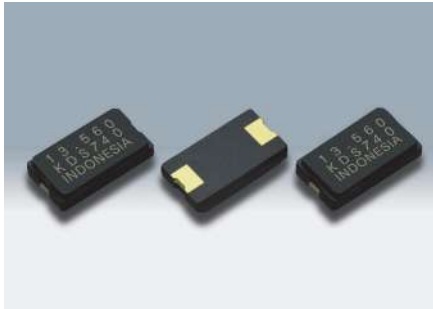


SMD Crystal Resonators / MHz Band Crystal Resonators<For Automotive>

DSX840GT/DSX840GK



Actual size

■ Features

- Miniature and low profile surface mount crystal resonator (height 1.8mm)
- Offers a low frequency, 4 to 8MHz (DSX840GT)
- High reliability due to excellent shock and vibration resistance
- AEC-Q200 Compliant

■ Applications

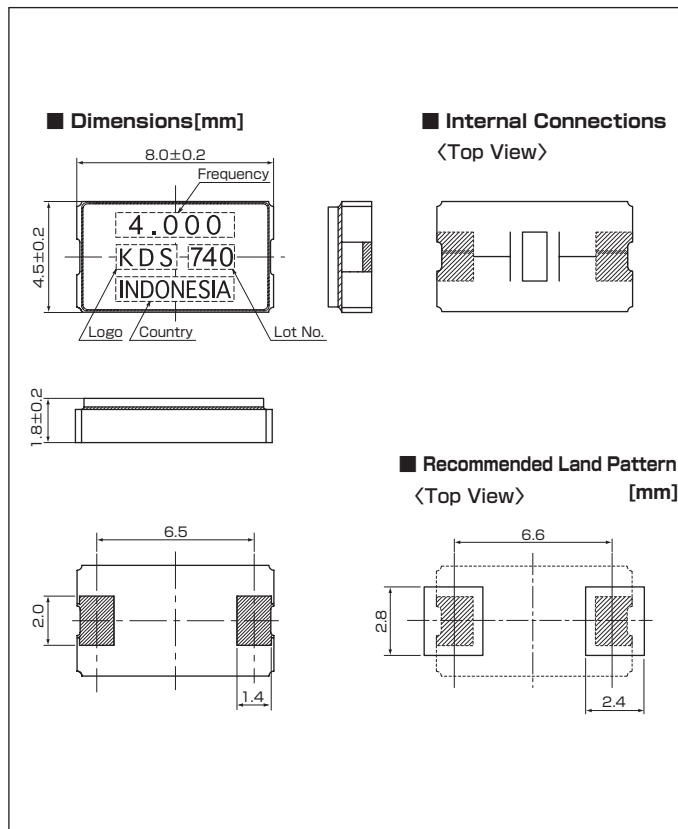
- RKE (Remote Keyless Entry), safety control and multimedia device

■ Standard Specification

Item	Type	DSX840GT			DSX840GK	
		4~5MHz	5~6MHz	6~8MHz	8~12MHz	12~40MHz
Frequency Range		4~5MHz	5~6MHz	6~8MHz	8~12MHz	12~40MHz
Overtone Order		Fundamental				
Load Capacitance		Series, 8pF, 10pF, 12pF				
Drive Level		10μW (300μW max.)				
Frequency Tolerance		±30×10 ⁻⁶ , ±50×10 ⁻⁶ , ±100×10 ⁻⁶ (at 25°C)				
Series Resistance		300Ω max.	200Ω max.	150Ω max.	150Ω max.	100Ω max.
Frequency Characteristics over Temperature		±50×10 ⁻⁶ / -40~+85°C (Ref. to 25°C)				
		±100×10 ⁻⁶ / -40~+125°C (Ref. to 25°C)				
		±200×10 ⁻⁶ / -40~+150°C (Ref. to 25°C)				
Storage Temperature Range		-40~+150°C				
Reliability		AEC-Q200-REV. C				
Packing Unit		1000pcs./reel (φ250)				

Consult our sales representative for other specifications.

■ DSX840GT



■ DSX840GK

