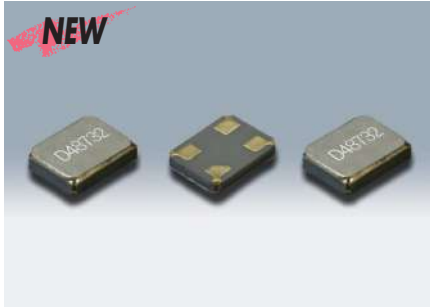


# SMD Crystal Resonators/MHz Band Crystal Resonators

## DSX1612A



Actual size □

### ■ Features

- 1612 size ultra miniature and lightweight SMD crystal resonator with a low profile of 0.30mm.
- High precision and high reliability
- Enable high density mounting

### ■ Applications

- Small mobile devices for next generation like mobile communications, short-range wireless modules, digital AV equipment and PC.

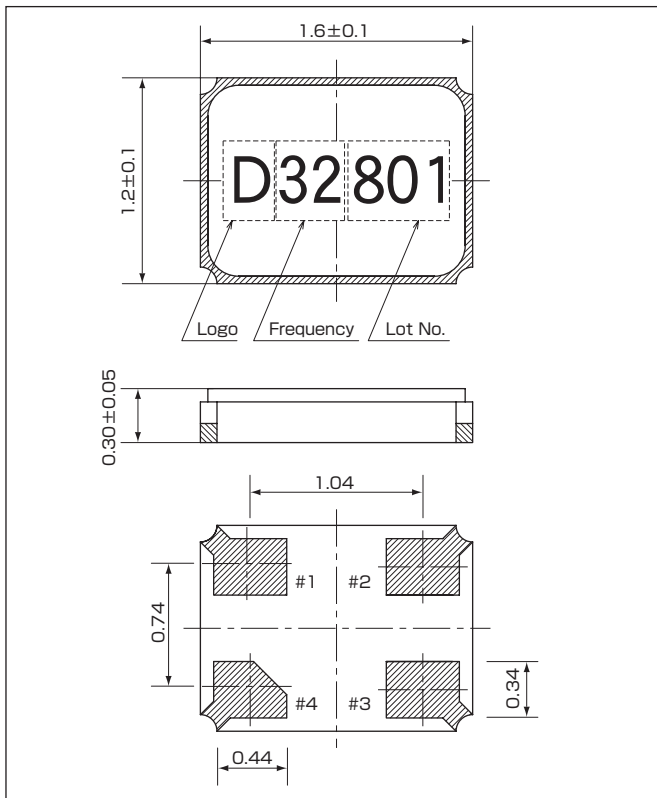


### ■ Standard Specification

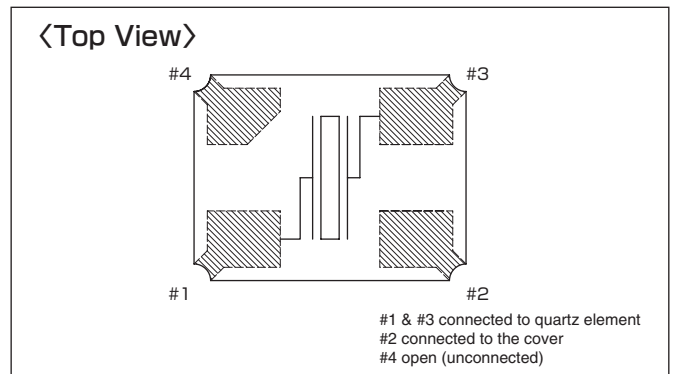
| Item                                       | Type | DSX1612A  |          |
|--|------|---|----------|
| Frequency Range                            |      | 32~40MHz  | 40~52MHz |
| Overtone Order                             |      | Fundamental   |          |
| Load Capacitance                           |      | Series, 8pF, 10pF, 12pF   |          |
| Drive Level                                |      | 10μW (100μW max.)   |          |
| Frequency Tolerance                        |      | ±10×10 <sup>-6</sup> , ±20×10 <sup>-6</sup> , ±30×10 <sup>-6</sup> , ±50×10 <sup>-6</sup> (at 25°C) |          |
| Series Resistance                          |      | 150Ωmax.  | 100Ωmax. |
| Frequency Characteristics over Temperature |      | ±8×10 <sup>-6</sup> /-10~+60°C(Ref. to 25°C)  |          |
|  |      | ±12×10 <sup>-6</sup> /-20~+70°C(Ref. to 25°C)   |          |
|  |      | ±15×10 <sup>-6</sup> /-30~+85°C(Ref. to 25°C)   |          |
| Storage Temperature Range                  |      | -40~85°C  |          |
| Packing Unit                               |      | 3000pcs./reel(φ180)   |          |

Consult our sales representative for other specifications.

### ■ Dimensions[mm]



### ■ Internal Connections



### ■ Recommended Land Pattern

[mm]

