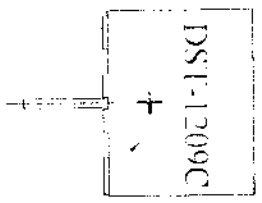
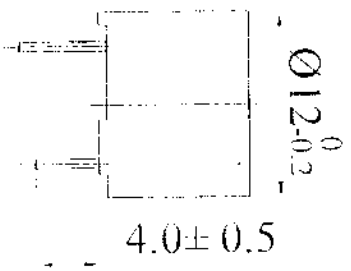
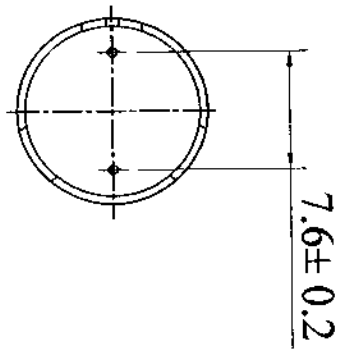


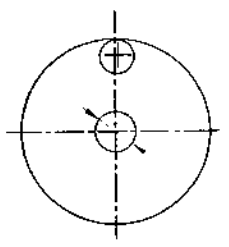
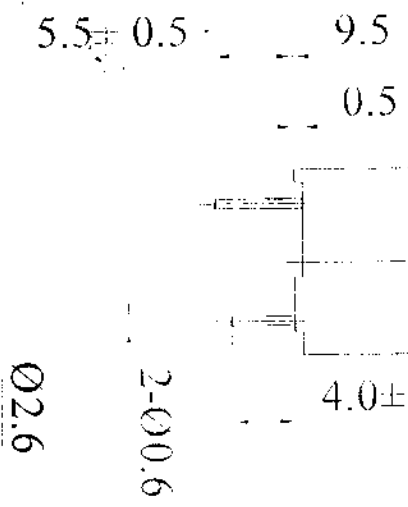
受控

SPECIFICATION

- 1. Rated Voltage 9 VDC
- 2. Operating Voltage 7~12 VDC
- 3. Max. Rated Current 30mA/9VDC
- 4. Min. Sound Pressure Level 85dB/10cm
- 5. Resonant Frequency 2.2~2.6KHz
- 6. Response Time 50ms
- 6. Case Material PBT
- 7. Operating Temperature -20~-70°C
- 8. Store Temperature -30~-80°C
- 9. Weight 2g



請參閱說明書



Compliance with ROHS

KEPO NINGBO KEPO ELECTRONIC CO.,LTD
<http://www.chinacooustic.com>

Magnetic Buzzer
 DST-G1209C
 大洋公司

1.3	打色移印一吸印	HHB	13.06.12
1.2	2.25~2.45-2.2-2.2 8KHZ	LHJ	07.12.29
NO.	DESCRIPTION	MENDER	DATE
DESIGNER		APPROVALS	DATE
DATE	DATE	DATE	DATE
13.06.05	13.06.05	13.06.05	13.06.05
13.06.05	13.06.05	13.06.05	13.06.05
13.06.05	13.06.05	13.06.05	13.06.05

1 2 3 4 5 6 7 8