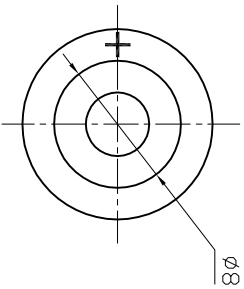
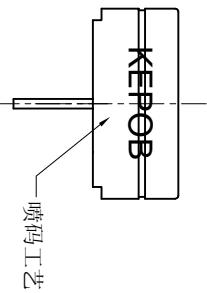
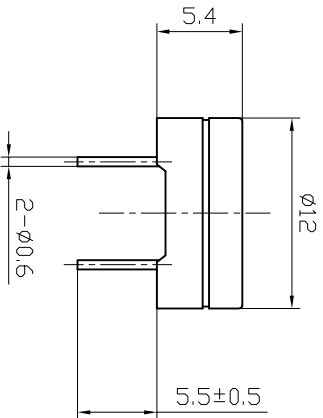
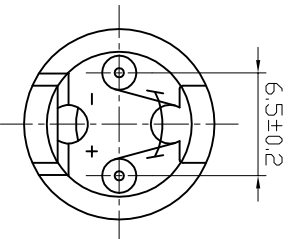


受 控

### Specifications

- 1. Rated Voltage..... 1.5V
- 2. Operating Voltage..... 1.3V
- 3. Max. Rated Current..... 40mA
- 4. Coil Resistance..... 50±5 Ω
- 5. Coil Impedance ..... 10 Ω
- 6. Min. Sound Pressure Level..... 70dB/10cm
- 7. Resonant Frequency..... 2048Hz
- 8. Case Material..... NORYL
- 9. Operating Temperature..... -20~+70°C
- 10. Store Temperature..... -30~+80°C
- 11. Weight..... 2g



No.	规格型号	10K-11A	12.10.18	<div style="text-align: center;"> <b>KEPO</b> NINGBO KEPO ELECTRONIC CO.,LTD  <a href="http://www.chinaacoustic.com">http://www.chinaacoustic.com</a>  <b>Magnetic Buzzer QUARTZ</b>  <b>DAP1254B</b> </div>		
DESCRIPTION	APPROVED	DATE	DATE			
APPROVALS	DATE	DATE	DATE			
DRAWN		12.10.18	UNIT	PAGE NO.		
CHECKED		12.10.18	mm	SCALE		
APPROVED		12.10.18	NOT TO SCALE	SHEET		
FIRST ANGULAR PERSPECTIVE				VER. 1.1		