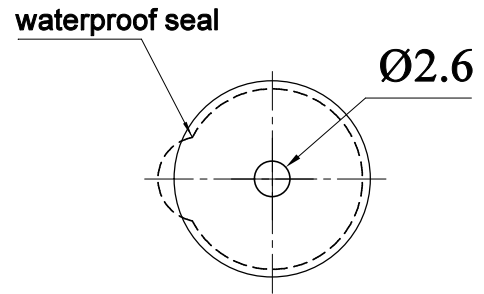
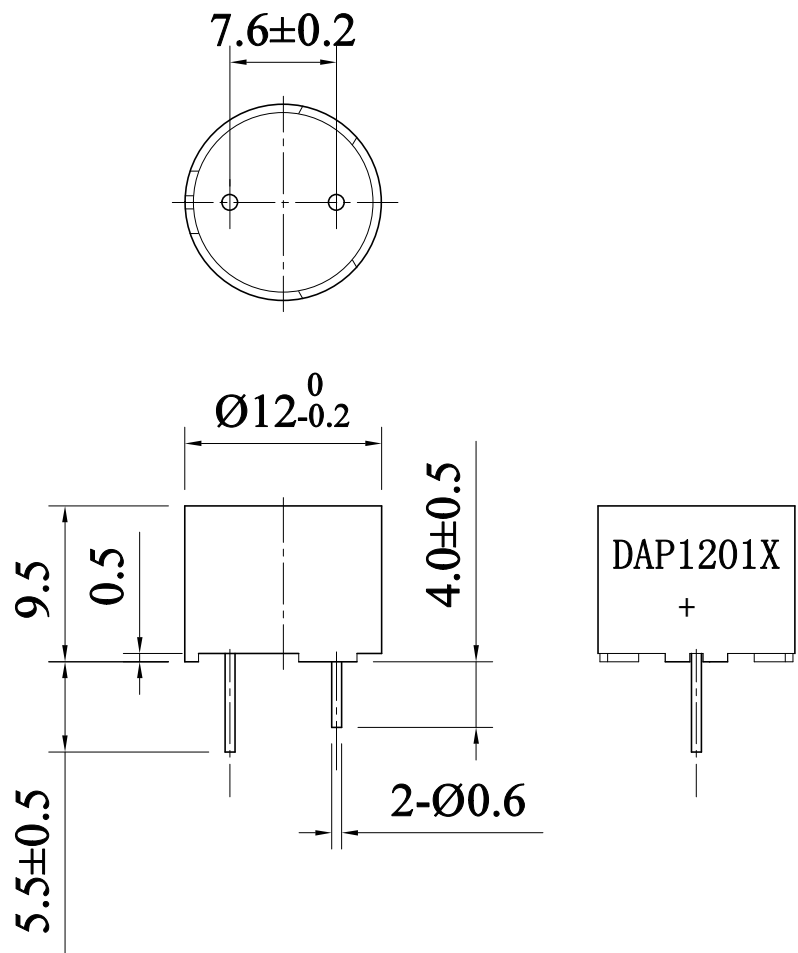


受 控

SPECIFICATION

- 1. Rated Voltage1.5VDC
- 2. Operating Voltage 1~2VDC
- 3. Max. Rated Current 30mA/1.5VDC
- 4. Min. Sound Pressure Level 75dB/10cm
- 5. Resonant Frequency 2300±300Hz
- 6. Response Time50ms
- 7. Case Material/Color..... PBT/Black
- 8. Operating Temperature -20~+70℃
- 9. Store Temperature -30~+80℃
- 10. Weight 2g



				Compliance with ROHS	
				KEPO NINGBO KEPO ELECTRONIC CO.,LTD http://www.chinaacoustic.com	
				Magnetic Buzzer QUARTZ	
				KPX-G1201A	
No.	DESCRIPTION	MENDER	DATE	UNIT	DWG NO.
TOLERANCES UNLESS NOTED OTHERWISE X * XX * XXX * °° FORMED °° ANGLES °°		APPROVALS			
	DRAWN	[Signature]	18.04.27	mm	
	CHECKED				
	APPROVED				
				SCALE	VER 1.0
				NOT TO SCALE	