

MODEL: CN2538-58HA P8



Code Meaning of Clangsonic Transducer

"CN"-CLANGSONIC

"25"-Frequency

"38"-Diameter of Piezoceramics

"58"-Diameter of Radiating surface

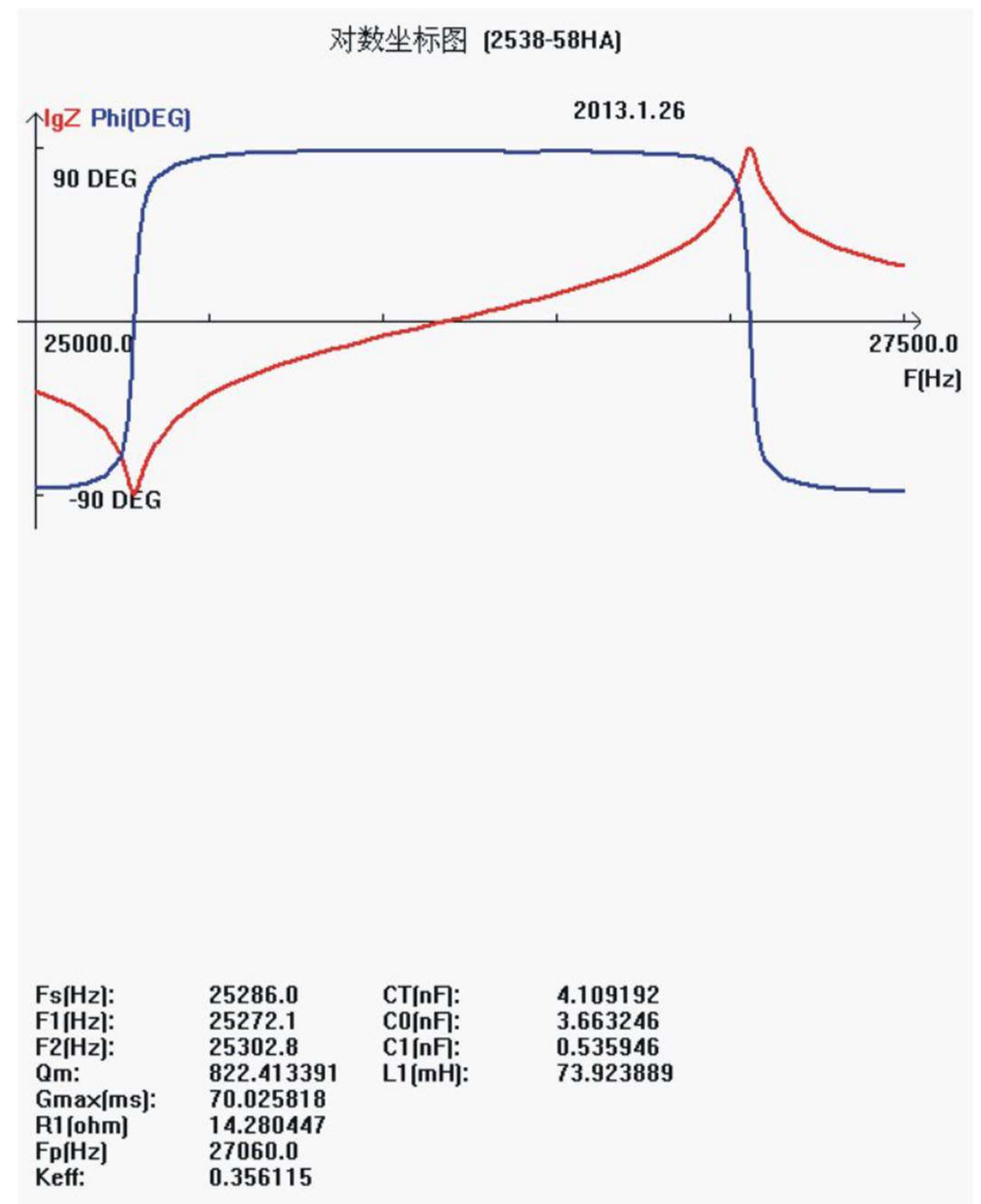
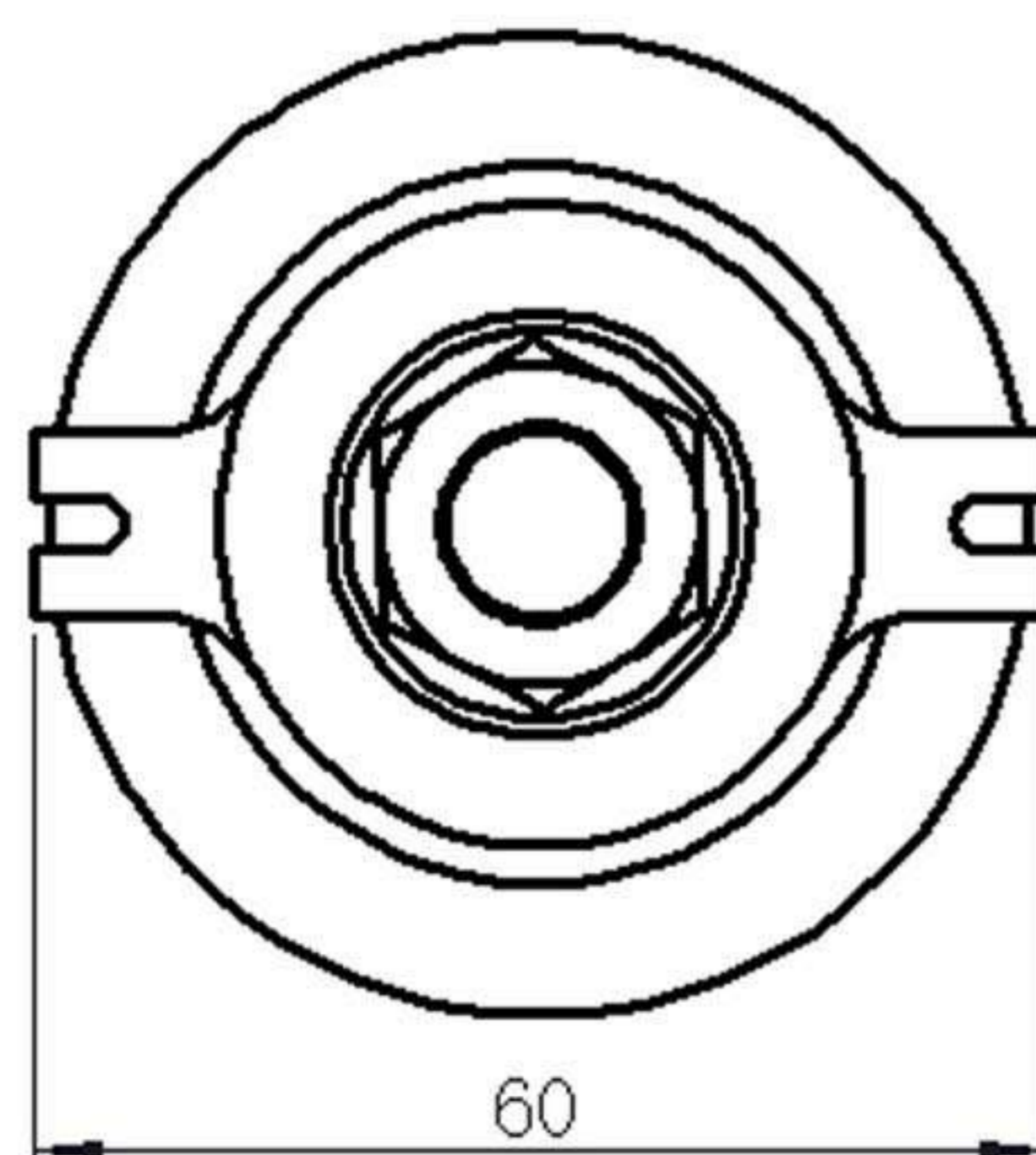
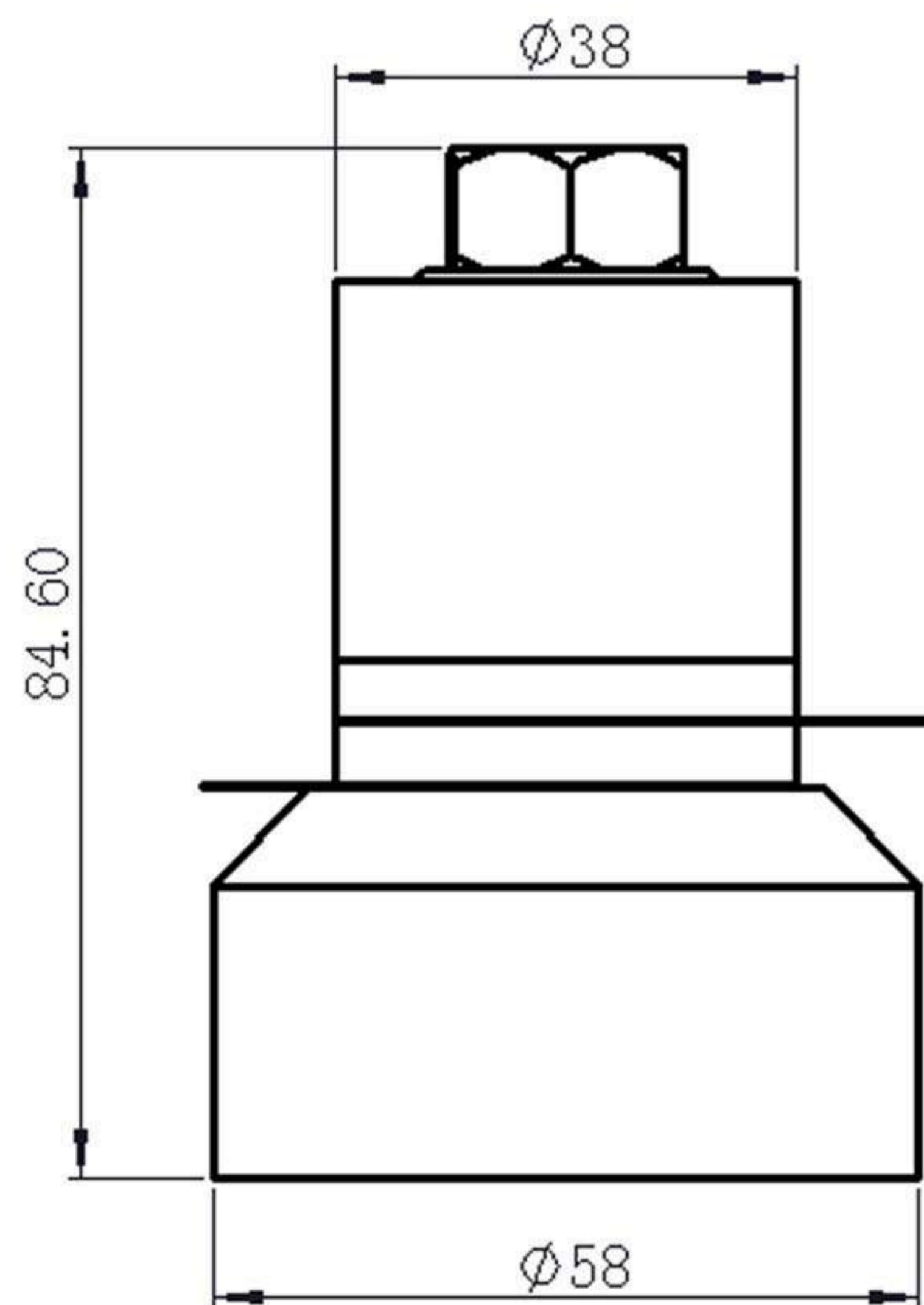
"H"-Cylinder Base

"A"-Without threaded hole in radiating surface

"P8"-Yellow Piezoelectric Ceramic

ELECTRICAL SPECIFICATION:

Item	Unit	Standard
Resonant Frequency	KHz	25 ± 0.5
Resonant Impedance	Ω	25 ↓
Capacitance	PF	3800 ± 10%
Diameter	MM	58
Total height	MM	85
Insulation Impedance	MΩ	10000 ↑
Rated Power	W	50



Tel:086-576-87276622 Email:info@clangsonic.com

Website:www.clangsonic.com

