

SPECIFICATION

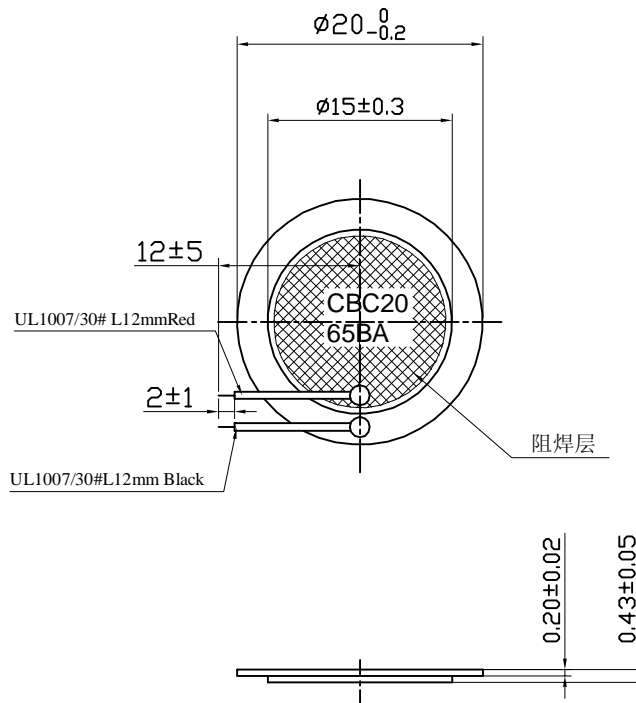
1. SCOPE

This specification is applied to the piezo-element.

2. SPECIFICATION

(at 25°C)

2.1 Resonant Frequency	:	6.5 ± 1 KHz
2.2 Resonant Resistace	:	350 Ω max
2.3 Capacitance	:	14000 pF ± 30% at 100Hz
2.4 Input Voltage	:	30 Vp-p max
2.5 Operating Temperature	:	-20~+50°C
2.6 Storage Temperature	:	-20~+70°C
3. DIMENSION	:	as per figure



<p>TOLERANCES UNLESS NOTED OTHERWISE</p> <p>.X ±</p> <p>.XX ±</p> <p>.XXX ±</p> <p>90° FORMED +2°</p> <p>ANGLES -1°</p> <p>FIRST ANGLE PROJECTION</p>	DRAWN		KEPO MODEL NO.	CUSTOMER			
	DESIGN		CBC2065BAL-5	QUARTZ-1 LTD			
	CHECKED			CUSTOMER NO.			
	APPROVED		DWG NO.	VER	1.2	SCALE	
	DATE	05.12.22	OEM1090	UNIT	mm	SHEET	
	CONTRACT NO.		KEPO CO.,LTD.	TEL:(+86)574-88370330			
AGENCY APPROVAL		FAX:(+86)574-88370329					

1

2

3

4