



MONITOR PRODUCTS COMPANY INC

970T • 975T

Full-Size & Half-Size, TTL-compatible Clock Oscillators

Monitor Products' 970T and 975T series of full-size and half-size clock oscillators combine state-of-the-art, thick film, hybrid technology with precision manufacturing, resulting in products of unsurpassed accuracy and reliability. Their all-metal, resistance-welded cases ensure environmental protection and shielding to minimize EMI/RFI.

FEATURES

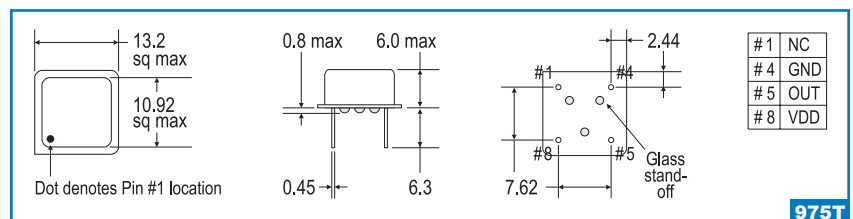
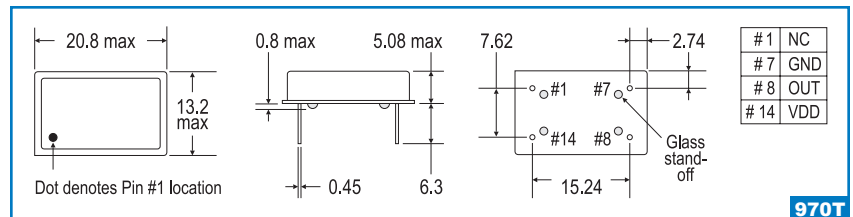
- Low power consumption
- Tristate gates
- Surface mount options
- Independent dual outputs

APPLICATIONS

- Systems clock
- Disk drives
- Cameras
- Computer applications
- Measuring instruments
- Communications equipment

ELECTRICAL SPECIFICATIONS

	970T Full-size	975T Half-size
Frequency Range	1.0 ~ 100.0 MHz	
Frequency Stability	± 100 ppm standard (± 25 ppm available)	
Supply Voltage	5.0 VDC ± 0.5 V	
Operating Temperature Range	0°C ~ 70°C standard (extended temp ranges avail - call for other options)	
Load Capacitance	10 TTL	
Symmetry	60%/40% @ ¼ Vcc max	
Input Current (max)	1.0 ~ 25.0 MHz : 30 mA 25.1 ~ 70.0 MHz : 70 mA 70.1 ~ 100.0 MHz : 80 mA	
Rise & Fall Time (max)	1.0 ~ 25.0 MHz : 10 nS 25.1 ~ 70.0 MHz : 5 nS 70.1 ~ 100.0 MHz : 4 nS	
Logic 0 Level (max)	1.0 ~ 25.0 MHz : +0.4 V 25.1 ~ 100.0 MHz : +0.5 V	
Logic 1 Level (min)	+2.4V	



Monitor Products has a proven track record as a pioneer manufacturer in the frequency control market. If our extensive selection of standard and engineered crystals and oscillators does not meet your spec, we will work with you towards a customized solution.

Monitor Products Company Inc reserves the right to make changes to its products and product specifications without notice. No liability is assumed as a result of their use or application.

MONITOR PRODUCTS COMPANY INC



CORPORATE OFFICE / FACTORY

502 Via del Monte, Oceanside, CA 92054 Tel: 760 433-4510 Fax: 760 434-0255

Regional Sales Office

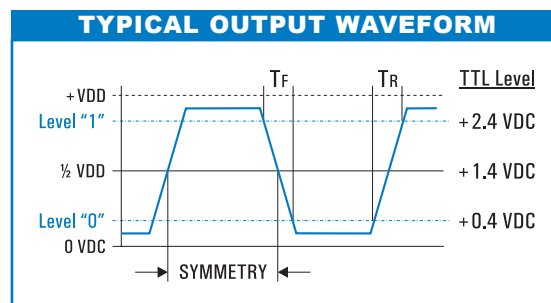
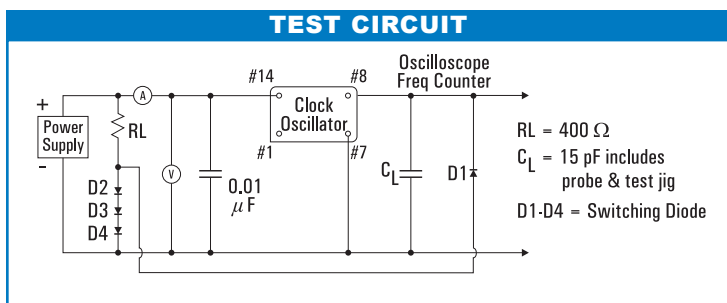
3415 Custer Road, Suite 103, Plano, TX 75023 Tel: 972 758-8687 Fax: 972 758-7574

Designers and manufacturers of innovative frequency control devices since 1927

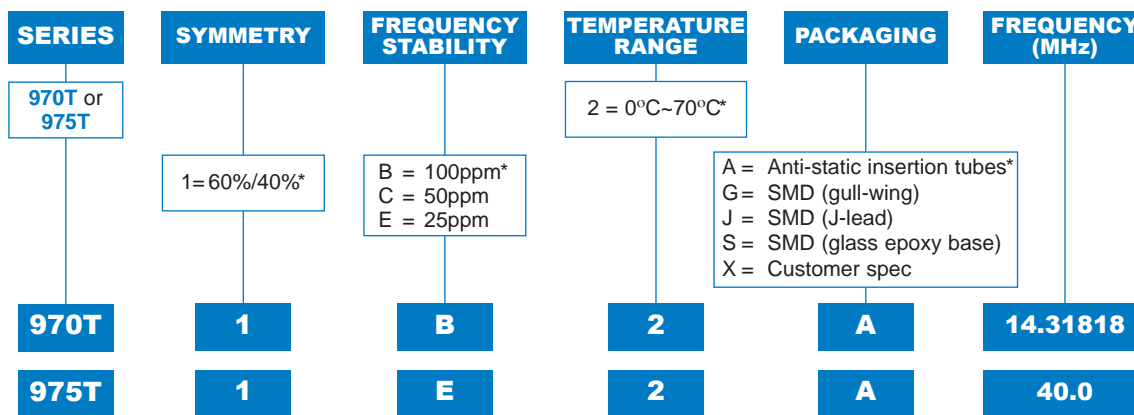
www.monitor-products.com

ENVIRONMENTAL PERFORMANCE SPECIFICATIONS

Operating Temperature Range	0°C~70°C
Storage Temperature Range	-55°C~125°C
Vibration	MIL-STD-202F, Method 204, 35G, 50 to 2000 Hz
Shock	MIL-STD-202F Method 213B Test Cond E, 1000G, 1/2 Sine Wave
Humidity	85% RH, 85°C, 48 Hours
Hermetic Seal	Leak Rate 2×10^{-8} ATM-cm ³ /sec max
Reflow Solderability	260°C, 10 secs max
Solderability	MIL-STD-202F, Method 208E



PART NUMBERING KEY



Sample Part Numbers:

970T1B2A @ 14.31818 MHz =

975T1E2A @ 46.0 MHz =

* Standard

Call factory for additional options. Use full descriptive part number when ordering. Parts will be marked with series and frequency only.

Monitor Products Company Inc reserves the right to make changes to its products and product specifications without notice. No liability is assumed as a result of their use or application.

MONITOR PRODUCTS COMPANY INC



CORPORATE OFFICE / FACTORY

502 Via del Monte, Oceanside, CA 92054 Tel: 760 433-4510 Fax: 760 434-0255

Regional Sales Office

3415 Custer Road, Suite 103, Plano, TX 75023 Tel: 972 758-8687 Fax: 972 758-7574