

PIEZO ULTRASONIC SENSOR WITH A CIRCUIT

SPECIFICATIONS

■MODEL: 14.4A03-TK017-Y604009 NO: TK604009-01

■ELECTRICAL SPECIFICATION:

1	Center frequency (KHz)	40 ± 1.0
2	Echo Sensitivity (mV)	≥ 600
3	Decay Time (ms)	≤ 1.2
4	Directivity (deg) X-axis	60 ± 10
5	Directivity (deg) Y-axis	60 ± 10
6	Input Impedance (KΩ)	≥ 9.0
7	Input Voltage(Vp-p)	8
8	Mean Time To Failure (h)	50000
9	Operating Temperature(°C)	-40 ~ +80
10	Storage temperature(°C)	-40 ~ +85

■APPEARANCE AND DIMENSIONS

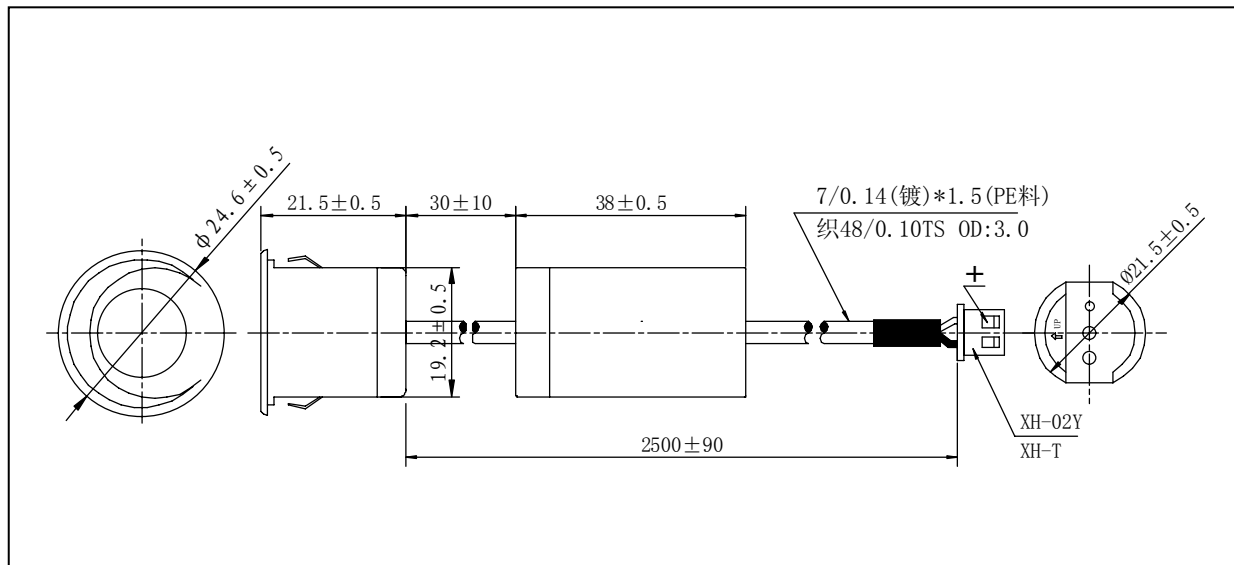


FIG1 Test Signal To Sensor

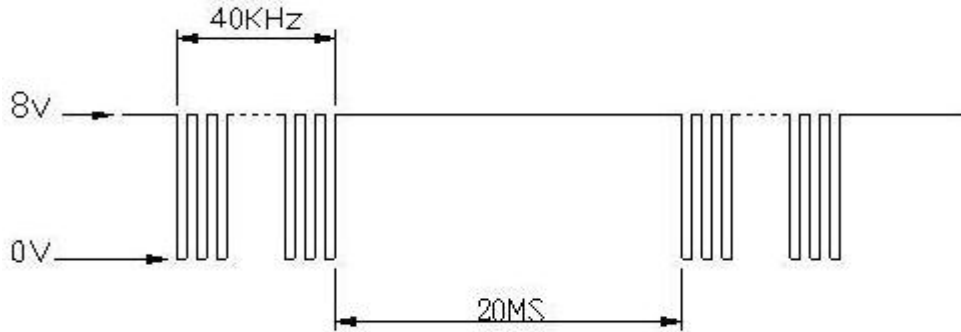


FIG2 Simulation Test Circuit

