

**Features**

- Wide 5V to 80V Operation Voltage
- Output Adjustable from 1.25V to 20V
- Maximum Duty Cycle 100%
- Minimum Drop Out 1V
- Fixed 150KHz Switching Frequency
- Maximum 0.8A Output Current
- Recommend Maximum 0.6A Output Current At 5V Output,48V Input
- Recommend Maximum 0.4A Output Current At 15V Output,48V Input
- Internal Optimize HV Power Transistor
- High efficiency up to 85%
- Excellent line and load regulation
- TTL shutdown capability
- Built in thermal shutdown function
- Built in output short Protection Function
- Built in current limit function
- TO252-5L package

**Applications**

- Ebike Controller Power Supply
- Telecom / Networking Equipment

**General Description**

The XL7015 is a 150KHz fixed frequency PWM buck (step-down) DC/DC converter, capable of driving a 0.8A load with high efficiency, low ripple and excellent line and load regulation. Requiring a minimum number of external components, the regulator is simple to use and include internal frequency compensation and a fixed-frequency oscillator.

The PWM control circuit is able to adjust the duty ratio linearly from 0 to 100%. An enable function, an over current protection function is built inside. When output short protection function happens, the operation frequency will be reduced from 150KHz to 45KHz. An internal compensation block is built in to minimize external component count.

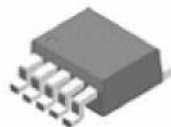


Figure1. Package Type of XL7015

## Pin Configurations

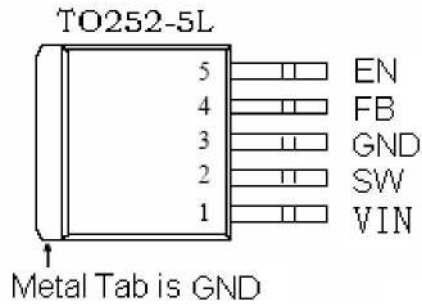


Figure2. Pin Configuration of XL7015 (Top View)

Table 1 Pin Description

| Pin Number | Pin Name | Description  |
|------------|----------|--|
| 1          | VIN      | Supply Voltage Input Pin. XL7015 operates from a 5V to 80V DC voltage. Bypass Vin to GND with a suitably large capacitor to eliminate noise on the input.  |
| 2          | SW       | Power Switch Output Pin (SW). Output is the switch node that supplies power to the output.   |
| 3          | GND      | Ground Pin. Care must be taken in layout. This pin should be placed outside of the Schottky Diode to output capacitor ground path to prevent switching current spikes from inducing voltage noise into XL7015. The exposed PAD is GND. |
| 4          | FB       | Feedback Pin (FB). Through an external resistor divider network, Feedback senses the output voltage and regulates it. The feedback threshold voltage is 1.25V.   |
| 5          | EN       | Enable Pin. Drive EN pin low to turn on the device, drive it high to turn it off. Floating is default low.   |

## Function Block

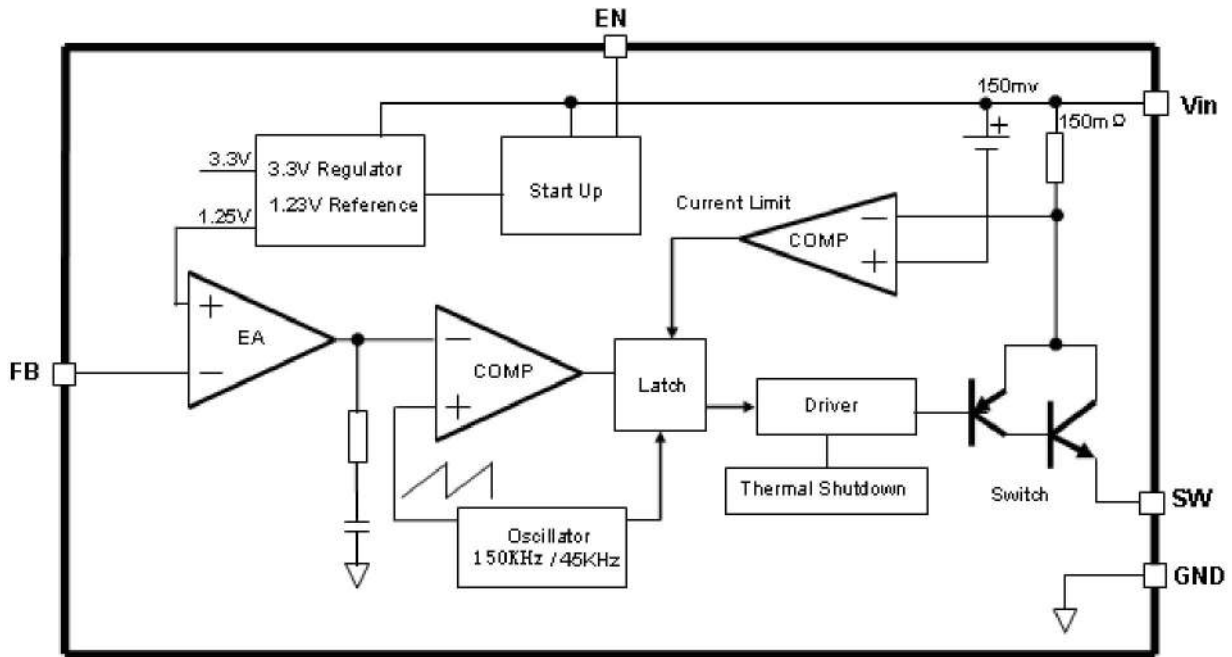


Figure3. Function Block Diagram of XL7015

## Typical Application Circuit

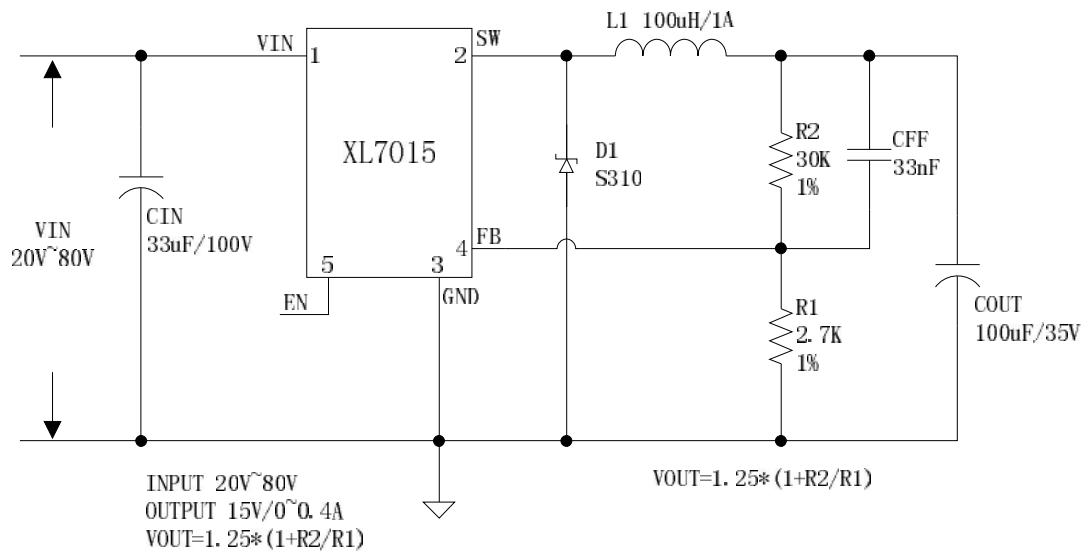


Figure4. XL7015 Typical Application Circuit

**0.8A 150KHz 80V Buck DC to DC Converter**

**XL7015**

### Ordering Information

| Order Information | Marking ID | Package Type | Packing Type Supplied As  |
|-------------------|------------|--------------|---------------------------|
| XL7015E1          | XL7015E1   | TO252-5L     | 2500 Units on Tape & Reel |

XLSEMI Pb-free products, as designated with “E1” suffix in the par number, are RoHS compliant.

### Absolute Maximum Ratings (Note1)

| Parameter   | Symbol     | Value              | Unit |
|---|------------|--------------------|------|
| Input Voltage   | $V_{in}$   | -0.3 to 85         | V    |
| Feedback Pin Voltage  | $V_{FB}$   | -0.3 to $V_{in}$   | V    |
| EN Pin Voltage  | $V_{EN}$   | -0.3 to $V_{in}$   | V    |
| Output Switch Pin Voltage   | $V_{SW}$   | -0.3 to $V_{in}$   | V    |
| Power Dissipation   | $P_D$      | Internally limited | mW   |
| Thermal Resistance (TO252-5L)<br>(Junction to Ambient, No Heatsink, Free Air) | $R_{JA}$   | 50                 | °C/W |
| Maximum Junction Temperature  | $T_J$      | -40 to 150         | °C   |
| Operating Junction Temperature  | $T_J$      | -40 to 125         | °C   |
| Storage Temperature   | $T_{STG}$  | -65 to 150         | °C   |
| Lead Temperature (Soldering, 10 sec)  | $T_{LEAD}$ | 260                | °C   |
| ESD (HBM)   |            | >3000              | V    |

**Note1:** Stresses greater than those listed under Maximum Ratings may cause permanent damage to the device. This is a stress rating only and functional operation of the device at these or any other conditions above those indicated in the operation is not implied. Exposure to absolute maximum rating conditions for extended periods may affect reliability.

### 0.8A 150KHz 80V Buck DC to DC Converter

**XL7015**

#### XL7015 Electrical Characteristics

$T_a = 25^\circ\text{C}$ ; unless otherwise specified.

| Symbol  | Parameter  | Test Condition   | Min.  | Typ. | Max.  | Unit |
|---|------------|--|-------|------|-------|------|
| <i>System parameters test circuit figure4</i> |            |  |       |      |       |      |
| VFB   | FB Voltage | $V_{in}=20\text{V to }80\text{V}$<br>$I_{load}=0.1\text{A to }0.4\text{A}$ | 1.225 | 1.25 | 1.275 | V    |
| $\eta$  | Efficiency | $V_{in}=36\text{V}$ , $V_{out}=15\text{V}$<br>$I_{out}=0.4\text{A}$        | -     | 86   | -     | %    |
| $\eta$  | Efficiency | $V_{in}=48\text{V}$ , $V_{out}=15\text{V}$<br>$I_{out}=0.4\text{A}$        | -     | 83   | -     | %    |
| $\eta$  | Efficiency | $V_{in}=60\text{V}$ , $V_{out}=15\text{V}$<br>$I_{out}=0.4\text{A}$        | -     | 81   | -     | %    |

#### Electrical Characteristics (DC Parameters)

$V_{in} = 48\text{V}$ ,  $GND=0\text{V}$ ,  $V_{in}$  &  $GND$  parallel connect a  $33\mu\text{f}/100\text{V}$  capacitor;  $I_{out}=0.2\text{A}$ ,  $T_a = 25^\circ\text{C}$ ; the others floating unless otherwise specified.

| Parameters                   | Symbol     | Test Condition                              | Min. | Typ. | Max. | Unit          |
|------------------------------|------------|---|------|------|------|---------------|
| Input operation voltage      | $V_{in}$   |   | 5    |      | 80   | V             |
| Shutdown Supply Current      | $I_{STBY}$ | $V_{EN}=2\text{V}$                          |      | 85   | 200  | $\mu\text{A}$ |
| Quiescent Supply Current     | $I_q$      | $V_{EN}=0\text{V}$ ,<br>$V_{FB}=V_{in}$     |      | 2.5  | 5    | mA            |
| Oscillator Frequency         | $F_{osc}$  |   | 120  | 150  | 180  | KHz           |
| Switch Current Limit         | $I_L$      | $V_{FB}=0$                                  |      | 1    |      | A             |
| EN Pin Threshold             | $V_{EN}$   | High (Regulator OFF)                        |      | 1.6  |      | V             |
|                              |            | Low (Regulator ON)                          |      | 0.8  |      |               |
| EN Pin Input Leakage Current | $I_H$      | $V_{EN}=2.5\text{V (OFF)}$                  |      | 6    | 20   | $\mu\text{A}$ |
|                              | $I_L$      | $V_{EN}=0.5\text{V (ON)}$                   |      | 1    | 10   | $\mu\text{A}$ |
| Output Saturation Voltage    | $V_{CE}$   | $V_{FB}=0\text{V}$<br>$I_{out}=0.5\text{A}$ |      | 0.87 |      | V             |
| Max. Duty Cycle              | $D_{MAX}$  | $V_{FB}=0\text{V}$                          |      | 100  |      | %             |

### Typical System Application (Recommend output current safe work range)

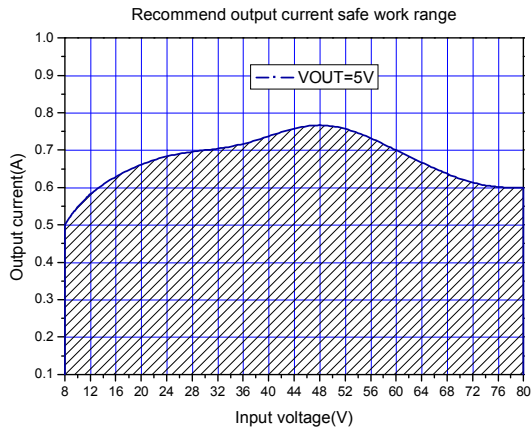


Figure5.Max output current(VOUT=5V)

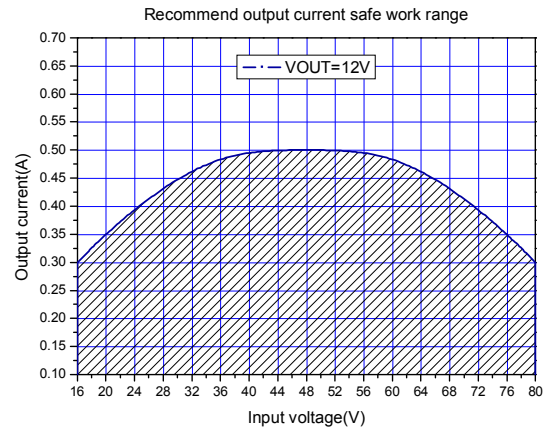


Figure6.Max output current(VOUT=12V)

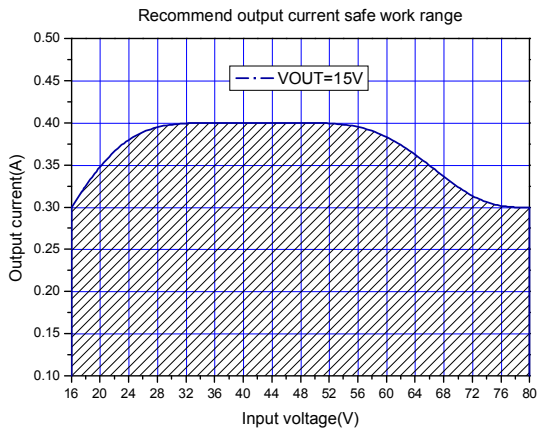


Figure7.Max output current(VOUT=15V)

### Typical System Application(VOUT=15V/0.4A)

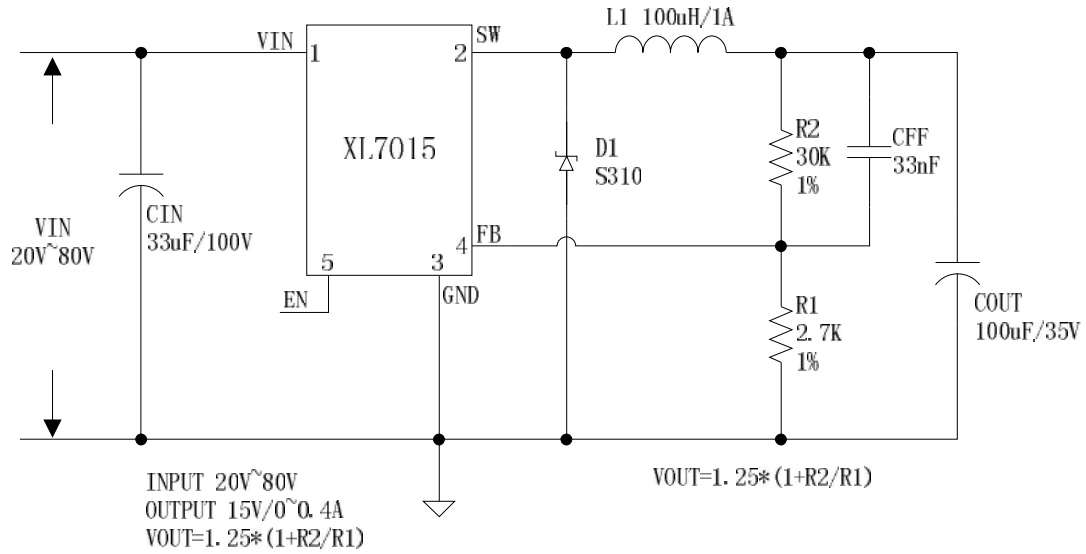


Figure8. XL7015 System Application (VIN=20V~80V, VOUT=15V/0.4A)

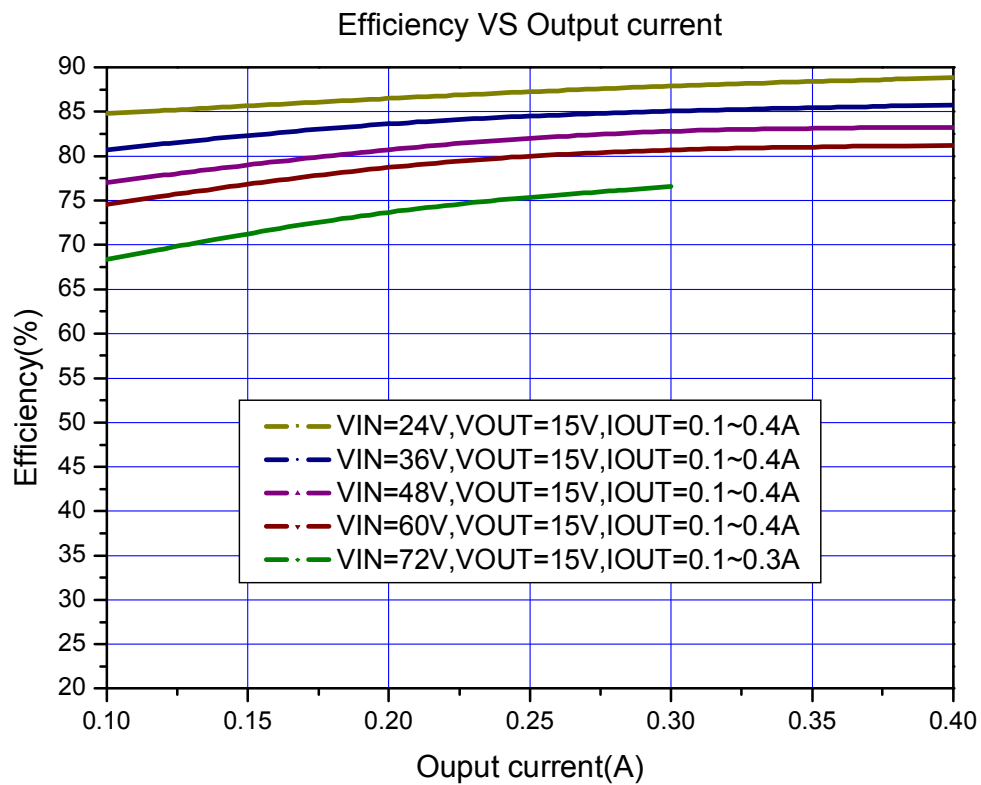


Figure9. XL7015 System Application (Efficiency VS Output Current)

### Typical System Application(VOUT=5V/0.8A)

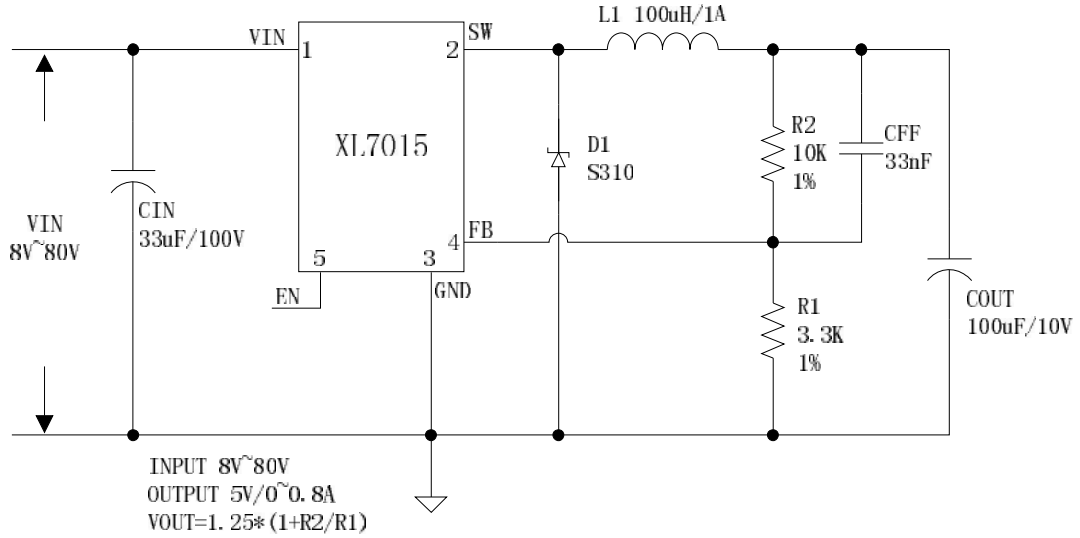


Figure10. XL7015 System Application (VIN=8V~80V, VOUT=5V/0.8A)

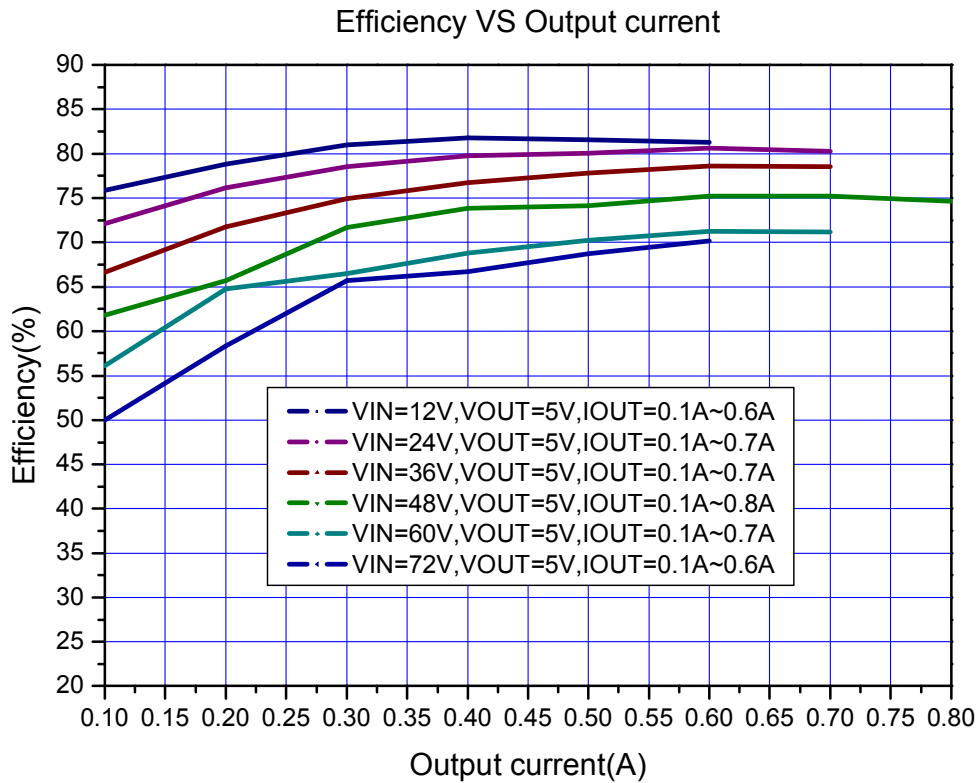
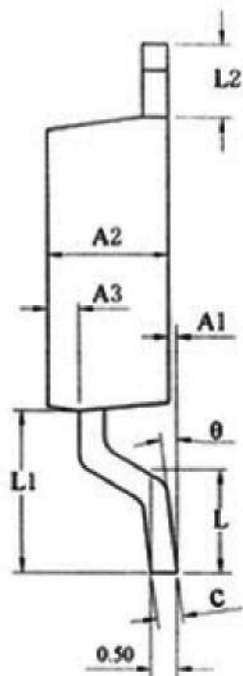
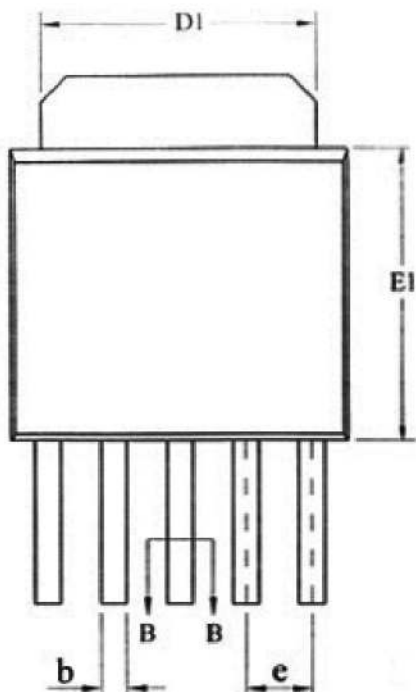


Figure11. XL7015 System Application (Efficiency VS Output Current)

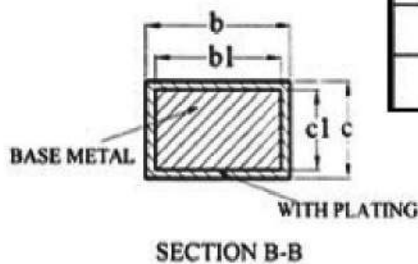
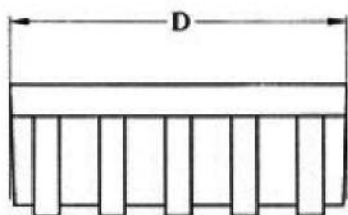


Package Information

Package Information (TO252-5L)



| SYMBOL   | MILLIMETER |      |      |
|----------|------------|------|------|
|          | MIN        | NOM  | MAX  |
| A1       | 0.05       | 0.15 | 0.25 |
| A2       | 2.10       | 2.30 | 2.50 |
| A3       | 0.50       | 0.60 | 0.70 |
| b        | 0.46       | —    | 0.60 |
| b1       | 0.45       | 0.50 | 0.55 |
| c        | 0.49       | —    | 0.56 |
| c1       | 0.48       | 0.50 | 0.52 |
| D        | 6.30       | 6.50 | 6.70 |
| D1       | 5.30REF    |      |      |
| E1       | 5.30       | 5.50 | 5.70 |
| e        | 1.27BSC    |      |      |
| L        | 1.40       | 1.50 | 1.60 |
| L1       | 3.00       | 3.10 | 3.30 |
| L2       | 1.40BSC    |      |      |
| $\theta$ | 0          | —    | 8°   |



**Important Notice**

XLSEMI reserve the right to make modifications, enhancements, improvements, corrections or other changes without notice at any time. XLSEMI does not assume any liability arising out of the application or use of any product described herein; neither does it convey any license under its patent rights, nor the rights of others. XLSEMI assumes no liability for applications assistance or the design of Buyers' products. Buyers are responsible for their products and applications using XLSEMI components. To minimize the risks associated with Buyers' products and applications, Buyers should provide adequate design and operating safeguards. XLSEMI warrants performance of its products to the specifications applicable at the time of sale, in accordance with the warranty in XLSEMI's terms and conditions of sale of semiconductor products. Testing and other quality control techniques are used to the extent XLSEMI deems necessary to support this warranty. Except where mandated by applicable law, testing of all parameters of each component is not necessarily performed. For the latest product information, go to [www.xlsemi.com](http://www.xlsemi.com).