

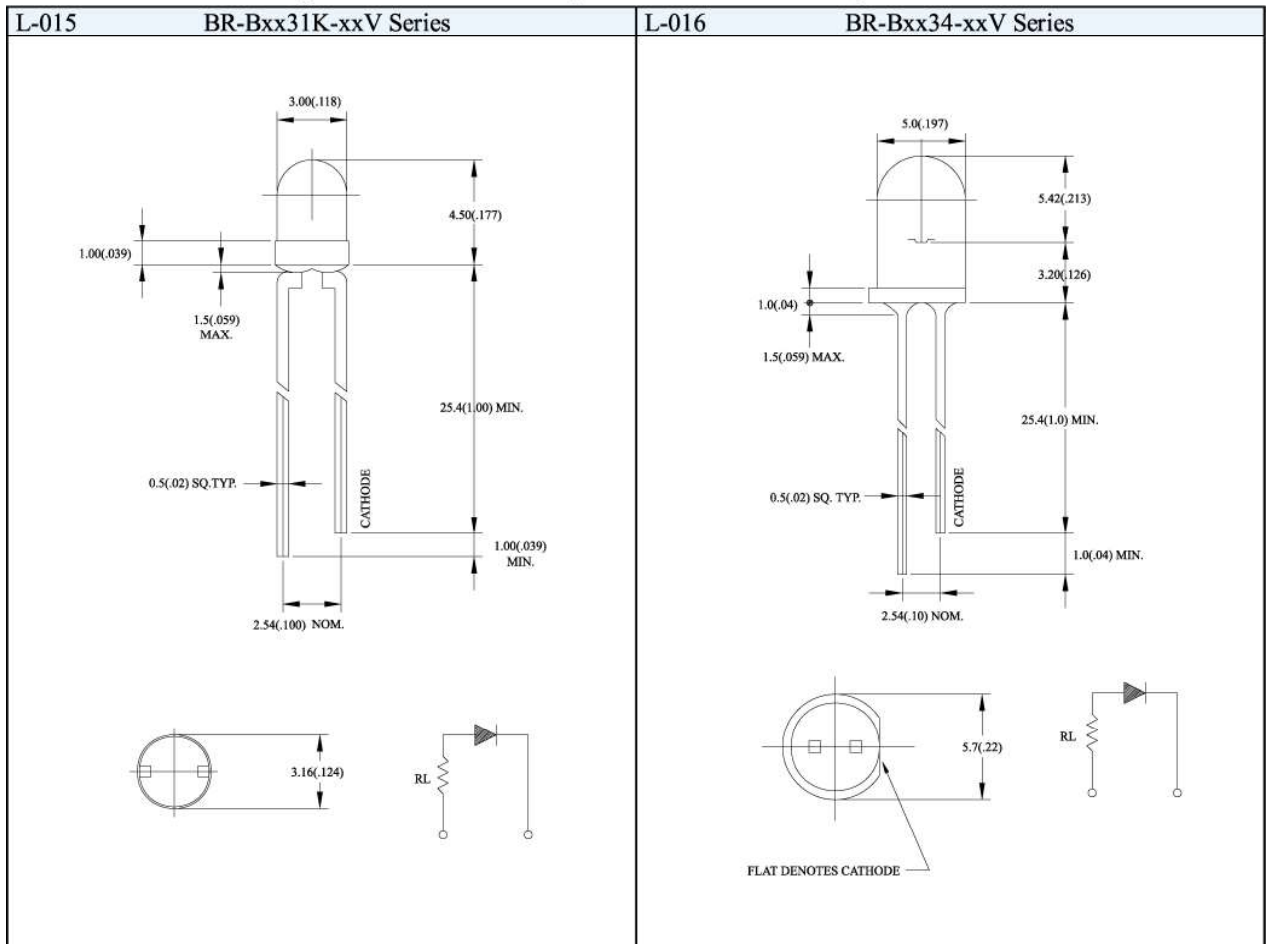


Resistor LED Lamp BR-B-05V, -12V, -15V Series

Round Types

Package	Part No.	Chip		Lens Appearance	Operating Voltage (V)		Forward Current (mA)		Luminous Intensity (mA)		Viewing Angle 2θ 1/2 (deg)	Drawing No.
		Material/Emitted Color	Peak Wave Length λ p (nm)		Typ.	Max.	Typ.	Max.	Min.	Typ.		
T-1 Profile 1.0" Lead 3 φ	BR-B5131K-05V	GaP/GaP/ Bright Red	700	Red Diffused	-	5	8	12	1.0	3.0	30	L-015
	BR-B4531K-05V	GaAsP/GaP/ Hi-Eff Red	635						4.0	12.0		
	BR-B6131K-05V	GaAlAs/ SH Super Red	660						7.0	22.0		
	BR-B2131K-12V	GaP/GaP/ Green	568	Green Diffused	-	12			4.0	12.0		
	BR-BX1131K-12V	GaP/GaP/ Hi-Eff Green	568						5.0	15.0		
	BR-B3131K-15V	GaAsP/GaP/ Yellow	585						Yellow Diffused	-		
BR-B4131K-15V	GaAsP/GaP/ Orange	635	Orange Diffused	-	15	4.0	12.0					
T-13/4 Standard 1.0" Lead 5 φ	BR-B5134-05V	GaP/GaP/ Bright Red				700	Red Diffused	-	5	8	12	3.0
	BR-B4534-05V	GaAsP/GaP/ Hi-Eff Red	635	10.0	40.0							
	BR-B6134-05V	GaAlAs/ SH Super Red	660	20.0	60.0							
	BR-B2134-12V	GaP/GaP/ Green	568	Green Diffused	-	12	10.0	40.0				
	BR-BX1134-12V	GaP/GaP/ Hi-Eff Green	568				10.0	45.0				
	BR-B4534-15V	GaAsP/GaP/ Hi-Eff Red	635				Red Diffused	-	15			10.0
BR-B4134-15V	GaAsP/GaP/ Orange	635	Orange Diffused	-	15	10.0				40.0		

Remark : 1.Hi-Eff Red / High-Efficiency Red.
 2.Trans / Transparent.
 3.2 θ 1/2 The off-axis angle at which the luminous intensity is half the axial luminous intensity.



Notes : 1.All Dimensions are millimeters (inches).
 2.Tolerance is ± 0.25mm (.010").