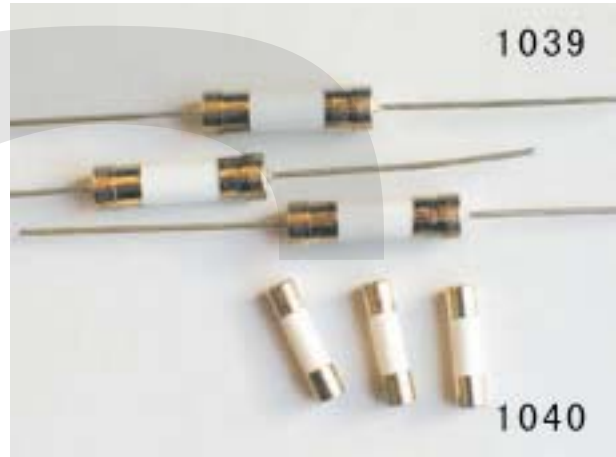
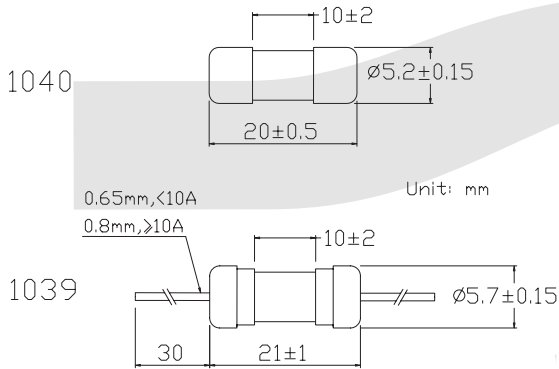


# FUSE AND FUSE HOLDER

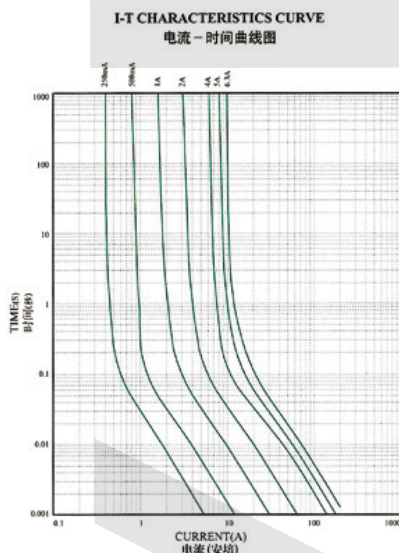
## Φ5.2x20 Ceramic Tube Fuse Series

KLS5-1039/1040 Φ5.2x20 Ceramic Tube Fuse (Fast Blow) Series



### ELECTRICAL CHARACTERISTICS

RATING		100mA - 10A
2.1I <sub>n</sub>	Max	30 min
2.75I <sub>n</sub>	Min	10 ms
	Max	3 s
4I <sub>n</sub>	Min	3 ms
	Max	300 ms
10I <sub>n</sub>	Max	20 ms



Part No.	Rated Current	Rated Voltage
1040-0100	100mA	125V/250V
1040-0125	125mA	125V/250V
1040-0150	150mA	125V/250V
1040-0160	160mA	125V/250V
1040-0200	200mA	125V/250V
1040-0250	250mA	125V/250V
1040-0300	300mA	125V/250V
1040-0315	315mA	125V/250V
1040-0350	350mA	125V/250V
1040-0400	400mA	125V/250V
1040-0500	500mA	125V/250V
1040-0600	600mA	125V/250V
1040-0700	700mA	125V/250V
1040-0750	750mA	125V/250V
1040-0800	800mA	125V/250V
1040-1000	1A	125V/250V
1040-1200	1.2A	125V/250V
1040-1250	1.25A	125V/250V
1040-1500	1.5A	125V/250V
1040-1600	1.6A	125V/250V
1040-1800	1.8A	125V/250V
1040-2000	2A	125V/250V
1040-2500	2.5A	125V/250V
1040-3000	3A	125V/250V
1040-3150	3.15A	125V/250V
1040-3500	3.5A	125V/250V
1040-4000	4A	125V/250V
1040-5000	5A	125V/250V
1040-6000	6A	125V/250V
1040-6300	6.3A	125V/250V
1040-7000	7A	125V/250V
1040-8000	8A	125V/250V
1040-10000	10A	125V/250V
1040-12000	12A	125V/250V
1040-15000	15A	125V/250V
1040-20000	20A	125V/250V
1040-25000	25A	125V/250V
1040-30000	30A	125V/250V

Part No.	Rated Current	Rated Voltage
1039-0100	100mA	125V/250V
1039-0125	125mA	125V/250V
1039-0150	150mA	125V/250V
1039-0160	160mA	125V/250V
1039-0200	200mA	125V/250V
1039-0250	250mA	125V/250V
1039-0300	300mA	125V/250V
1039-0315	315mA	125V/250V
1039-0350	350mA	125V/250V
1039-0400	400mA	125V/250V
1039-0500	500mA	125V/250V
1039-0600	600mA	125V/250V
1039-0700	700mA	125V/250V
1039-0750	750mA	125V/250V
1039-0800	800mA	125V/250V
1039-1000	1A	125V/250V
1039-1200	1.2A	125V/250V
1039-1250	1.25A	125V/250V
1039-1500	1.5A	125V/250V
1039-1600	1.6A	125V/250V
1039-1800	1.8A	125V/250V
1039-2000	2A	125V/250V
1039-2500	2.5A	125V/250V
1039-3000	3A	125V/250V
1039-3150	3.15A	125V/250V
1039-3500	3.5A	125V/250V
1039-4000	4A	125V/250V
1039-5000	5A	125V/250V
1039-6000	6A	125V/250V
1039-6300	6.3A	125V/250V
1039-7000	7A	125V/250V
1039-8000	8A	125V/250V
1039-10000	10A	125V/250V
1039-12000	12A	125V/250V
1039-15000	15A	125V/250V
1039-20000	20A	125V/250V
1039-25000	25A	125V/250V
1039-30000	30A	125V/250V

## ORDER INFORMATION

Product NO.: KLS5-1039-XXXX

Rated Current  
Lead Type: 1039=With Lead 1040=No Lead  
Part Number