

Ruichi brand Single-Phase EI Transformer

Transfer AC voltage of 100V, 110V, 120V, 200V, 220V, 230V, 240V to lower AC voltage. The input could be provided with single, double or triple voltage winding. Output can be provided from single to several winding. The size of our EI Transformer from EI-28 to EI-114, capacity up to 150W. We can supply with both screw mountings and pin dipping types.

transformer Application:

Ruichi single-phase transformer is widely applied to the little power of DVD, hi-fi stereo, TV, small adaptor, beauty equipment, instruments and Apparatuses equipment, stage light, lighting control circuit, air-conditioning equipment control circuit, medical equipment, monitoring equipment, automation equipment control circuit, machinery and equipment, energy-efficient equipment.

transformer Basic Data

Capacity: 1VA-100VA

Phase: Single

Input: AC Power with Voltages of Various Countries

Output: AC Current, Voltage, According to Customers Requirements

Frequency: 50-60Hz

Voltage Regulation: 12%-3%

Manufacture Standard: GB/T15290-94, GB/19212-2006, GB2828-2829-87

Insulation Class: B, 130 Celsius Degree; E, 120 Celsius Degree

Temperature-rise: ≤ 85 Celsius Degree

Features:

- a) High efficiency
- b) Low heat generation
- c) 3 frames or full isolation bobbin
- d) The cores are lapped by silicon steel sheet of high - quality and have been treated by insulation
- e) Clean appearance and convenient installation
- f) Competitive pricing.

Testing Items:

No-load Test(No-load Current, No-load Voltage, No-load Loss)

Load Test (Load Voltage, Temperature-rise)

Inductive Voltage Test

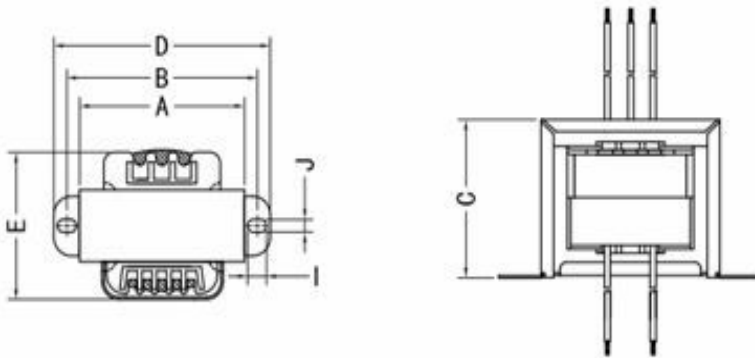
DC Resistance Test

Safety Test

Operating environment:

- 1) Temp.: The ambient temperature can not over +40°C.
- 2) Altitude: Mounting location can not exceed the altitude of 2000m
- 3) Relative humidity: Maximum 90%
- 4) The site not attack by rain and snow

Reference Dimensions
(Unit: mm)



Model	Spec.	Power (VA)	Out size (mm)			Install size (mm)	Hole dia. (mm)	Wight
			A	B	C	D	E	Kg
EI28	28×12	1	51	28	27	40	3	0.075
EI35	35×13	2	57	30	33	44	3.8	0.12
	35×15	2.5	61	35	32	48	4	0.14
EI41	41×14	3	69	32	37	55	3.8	0.17
	41×16	4	67	34	37	54	3.9	0.19
	41×20	5	67	37	36	55	3.8	0.23
	41×26	6.5	70	45	37	55	3.8	0.29
EI48	48×20	8	77	39	43	60	3.9	0.32
	48×24	10	74	45	43	60	3.8	0.36
	48×30	12	74	51	43	60	3.8	0.46
EI57	57×25	15	88	48	50	73	3.9	0.55
	57×30	20	90	53	50	74	3.9	0.65
	57×35	25	86	58	51	71	3.8	0.76

RUICHI

EI66	66×28	30	93	56	58	79	4.7	0.81
	66×32	35	99	59	59	83	3.8	0.98
	66×36	40	98	62	59	83	3.8	1.15
	66×40	45	96	68	59	82	3.8	1.2
EI76	76×32	50	110	64	67	96	3.8	1.35
	76×38	60	109	70	67	95	3.8	1.55
	76×45	80	106	75	67	90	4.8	1.8
EI86	86×45	100	117	80	75	101	4.8	2.3