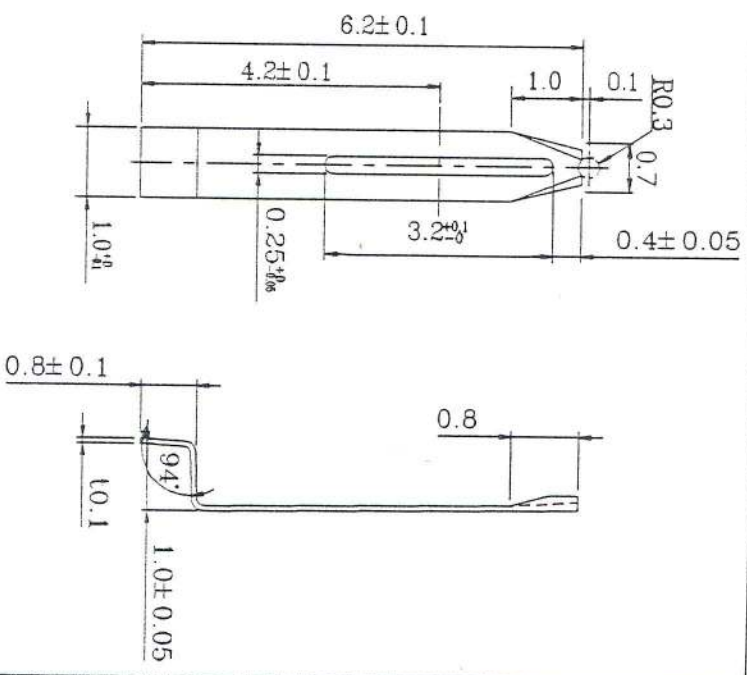


L DIMENSION	
A	13.2mm
B	16mm
C	20mm

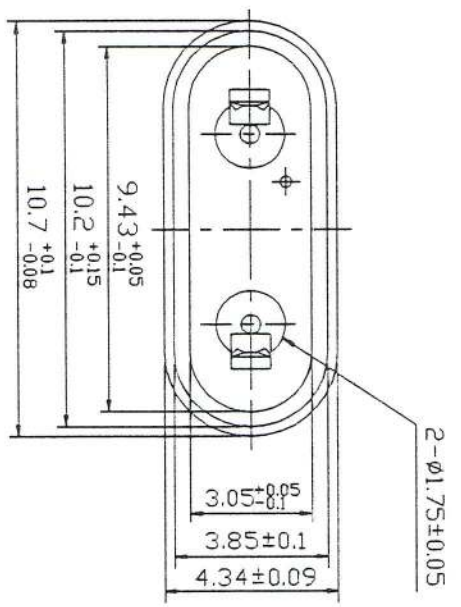
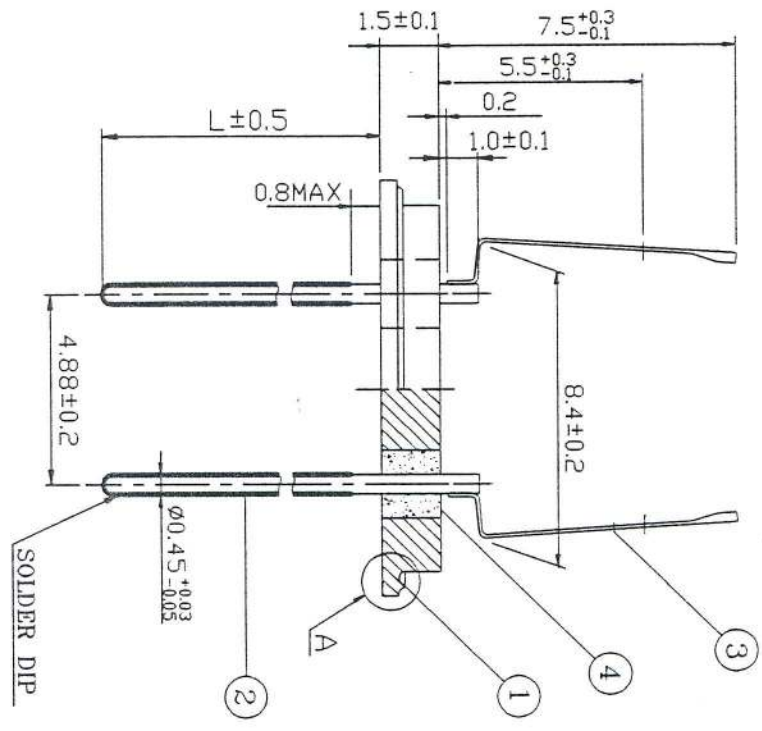
MARK	DATE	REVISION	CHECK
△B			
△C			
△D			



NO	DESCRIPTION	MAT'L	Q'TY	REMARK
1	B A S E	SPCC	1	
2	W I R E	KOVAR	3	
3	P I N	NSS	2	
4	G L A S S	G L A S S	2	

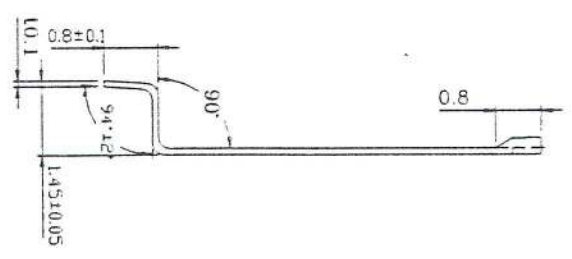
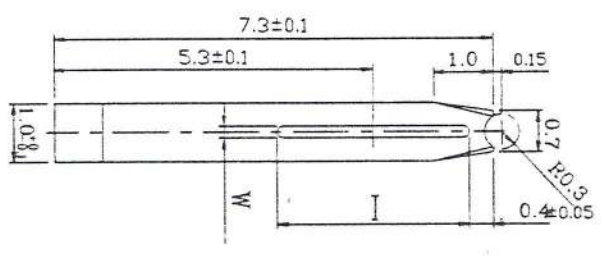
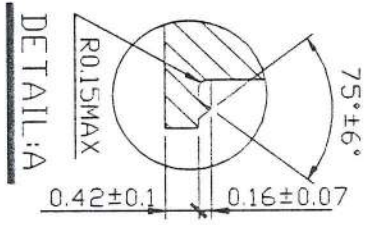
DESIGN	CHECK	APPR	NAME	49/U HOLDER ∅8.0
DATE	SCALE	UNIT	FINISH	Electroless
96.9.21	/NS	/mm	(min) 4 ~ (max) 15	
			DWG. NO	KBD-AH-GE801 A

경보정밀주식회사



L	DIMENSION
A	13.2mm
B	16mm
C	20mm





I	W
3.2 ^{+0.1} ₀	0.25 ^{+0.1} ₀
3.3±0.05	0.4±0.05



MARK	DATE	REVISION	CHECK
△B			
△C			
△D			

NO	DESCRIPTION	UNIT	SCALE	DATE	DESIGN	CHECK	APPR	NAME	DWG. NO
4	GLASS			96.9.21				49/U HOLDER Ø8.7	KBD-AH-GE871 A
3	PIN								
2	WIRE								
1	BASE								

FINISH Electroless
(min 4.0µ - 15.0µmax)

DATE: 96.9.21
 SCALE: /mm
 NAME: 49/U HOLDER Ø8.7
 DWG. NO: KBD-AH-GE871 A

경보정밀주식회사
 Kyobong Electronics Co., Ltd.