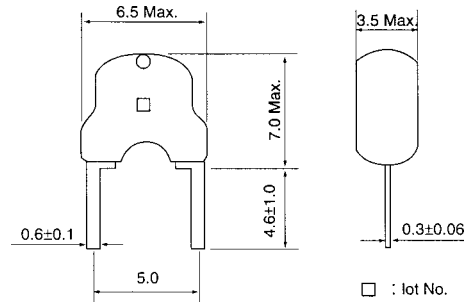


TYPE CDF Discriminators



Unit: mm

Description

- May be used in combination with IF step filters to remove need for adjustment.

Features

- Compact and low profile (ideal for slimline sets)
- Low temperature coefficient for low dispersion and stable characteristics
- Independent terminal structure
- Can be supplied as kits with AM/FM filters

Applications

- Ideal for small sets, general purpose radios, and headphone stereos.
- CB transceivers

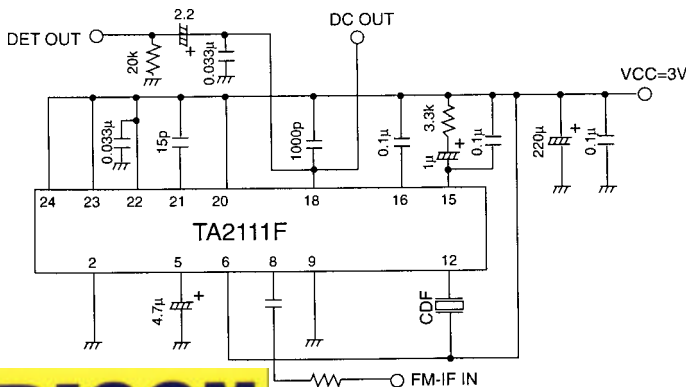
STANDARD DISCRIMINATORS SELECTION GUIDE

TYPE CDF Discriminators

TOKO Part Number*	Center Frequency (Fo)	(Rank Color Code)	Demodulated Output	Demodulated Distortion Factor	Demodulated 3dB Bandwidth	Applicable IC*
CDF107F-AE-022	A:10.70MHz±30kHz B:10.67MHz±30kHz C:10.73MHz±30kHz D:10.64MHz±30kHz E:10.76MHz±30kHz	(None) (Blue) (Orange) (Black) (White)	60mV min.	1.0% max.	220kHz min.	TA2111F

* Ceramic discriminators are classified by exclusive IC numbers. Please ask for TOKO Part Number.

Test Circuit



Center Frequency:

Fo is defined as the Carrier Frequency at the D.C. output voltage shall correspond to 1.2V.

Input Conditions:

MOD: 1kHz, DEV: 22.5kHz, INPUT: 80dBµ