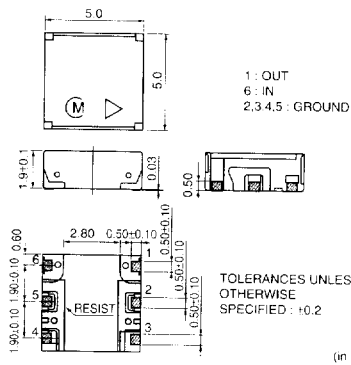


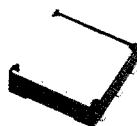
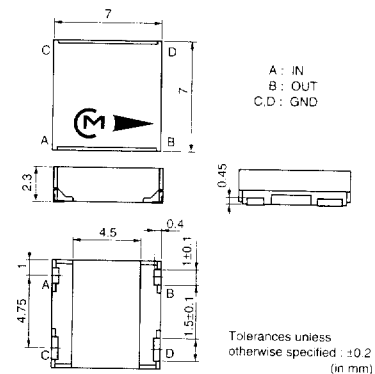
Isolators



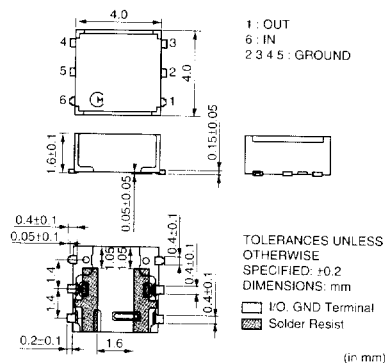
CE053 Series



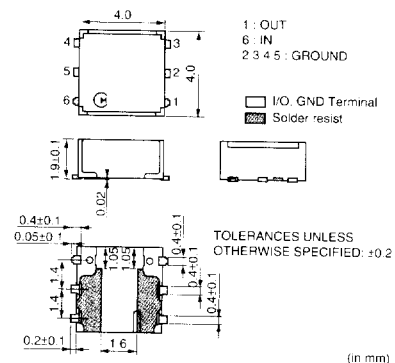
CE073 Series



CE041 Series



CE040 Series



Part Number	Fo (MHz)	IL at BW (dB)	Isolation (dB)	Rating Power (W)
CE053836MDCB000	836.5	0.65 max.	13 min.	2.5 max.
CE073836MDCB000	836.5	0.65 max.	13 min.	2.5 max.
CE053906MDCB000	906	0.70 max.	11 min.	2.5 max.
CE073906MDCB000	906	0.65 max.	13 min.	2.5 max.
CE073942MDCB000	942.5	0.7 max.	13 min.	2.5 max.
CE0401G44CCB000	1441	0.50 max.	12 min.	2.5 max.
CE0411G44CCB000	1441	0.55 max.	12.0 min.	2.5 max.
CE0731G44CCB000	1441.0	0.6 max.	15 min.	2.5 max.
CE0731G74DCB000	1745	0.7 max.	13 min.	2.5 max.
CE0401G74DCB000	1747.5	0.7 max.	13 min.	2.5 max.
CE0401G76CCB000	1765.0	0.6 max.	15 min.	2.5 max.
CE0401G88DCB000	1880	0.6 max.	14 min.	2.5 max.
CE0411G88DCB000	1880	0.60 max.	13 min.	2.5 max.
CE0731G88DCB000	1880.0	0.6 max.	15 min.	2.5 max.
CE0731G89CCB000	1890	0.6 max.	15 min.	2.5 max.
CE0731G90CCB000	1907.5	0.6 max.	15 min.	2.5 max.
CE0401G95DCB000	1950	0.55 max.	14 min.	2.5 max.
CE0411G95DCB000	1950	0.60 max.	13 min.	2.5 max.
CE0731G95DCB000	1950	0.6 max.	15 min.	2.5 max.
CE0731G96DCB000	1960	0.6 max.	15 min.	2.5 max.