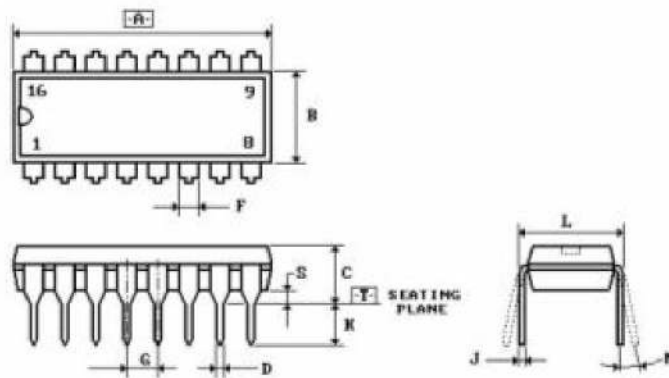


# КОРПУС DIP – 16



| DIM | MILLIMETERS |       |
|-----|-------------|-------|
|     | MIN         | MAX   |
| A   | 20.16       | 21.00 |
| B   | 6.42        | 7.00  |
| C   | -           | 5.00  |
| D   | 0.41        | 0.55  |
| F   | -           | 1.58  |
| G   | 2.5 BSC     |       |
| J   | 0.24        | 0.34  |
| K   | 3.26        | 3.74  |
| L   | 8.00        | 8.30  |
| M   | 5°          | 15°   |
| S   | 0.51        | -     |

