

AN7254

FM Front-end Circuit for Car Radio

■ Description

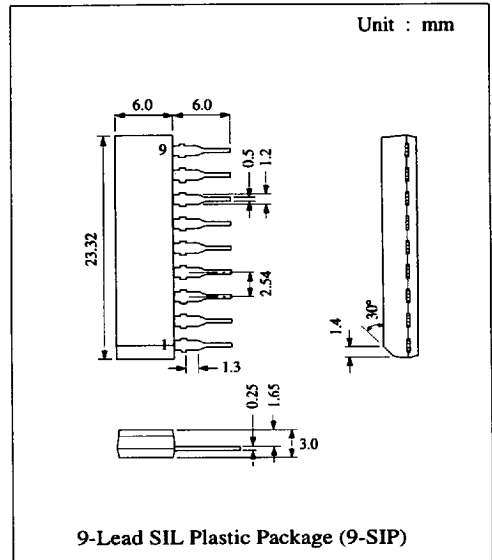
The AN7254 is a monolithic FM front-end integrated circuit, excluding RF amplifier, designed for car radio. The chip comprises mixer, local oscillator, IF amplifier and AGC amplifier.

■ Features

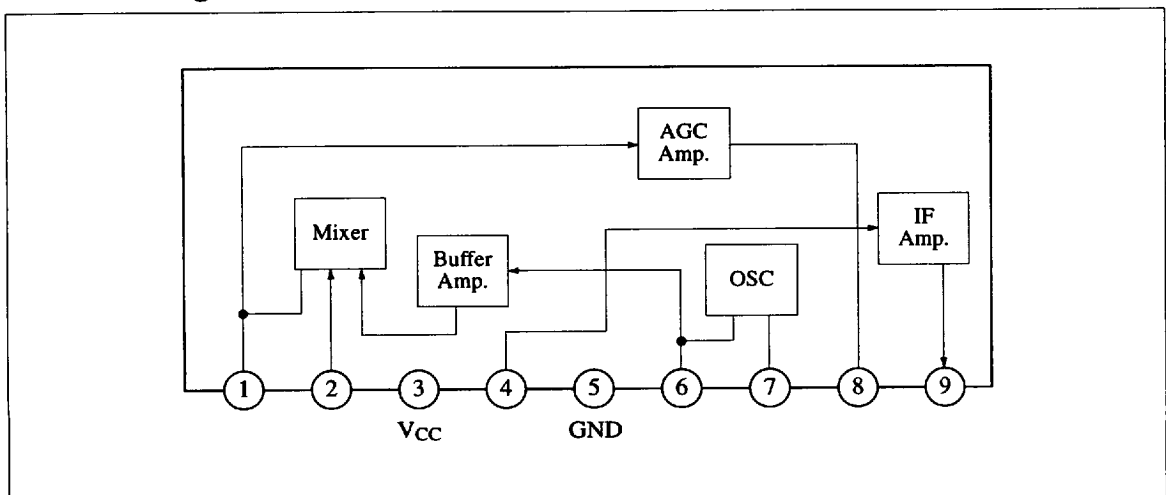
- Small characteristics fluctuation and high stability
- High gain by built-in IF amplifier
- Fewer external parts allow simple assembling operation and high reliability

■ Pin

| Pin No. | Pin Name |
|---------|-----------------|
| 1 | Mixer Output |
| 2 | Mixer Input |
| 3 | V _{CC} |
| 4 | IF Amp. Input |
| 5 | GND |
| 6 | OSC Base |
| 7 | OSC Emitter |
| 8 | AGC Output |
| 9 | IF Amp. Output |



■ Block Diagram

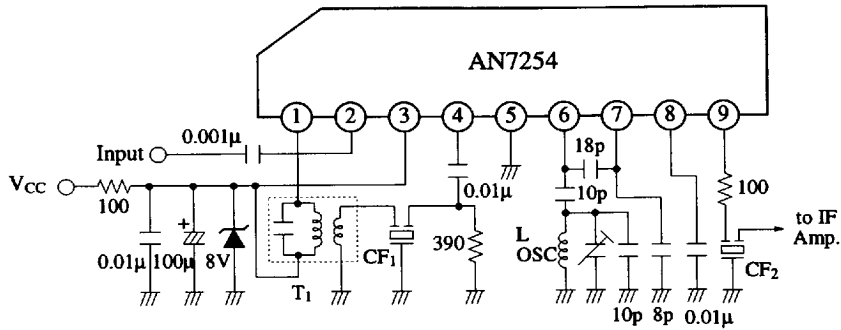


■ 6932852 0013912 456 ■

293

Panasonic

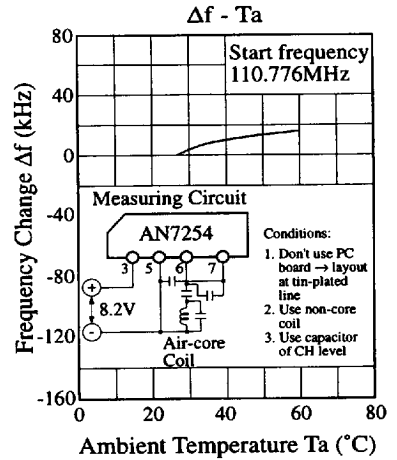
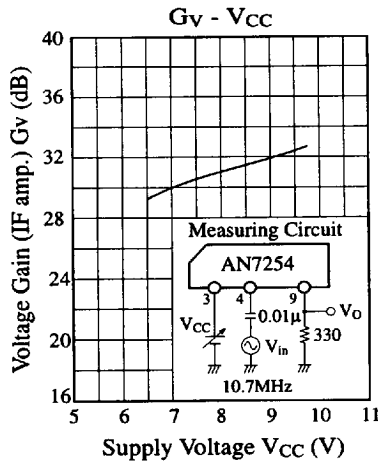
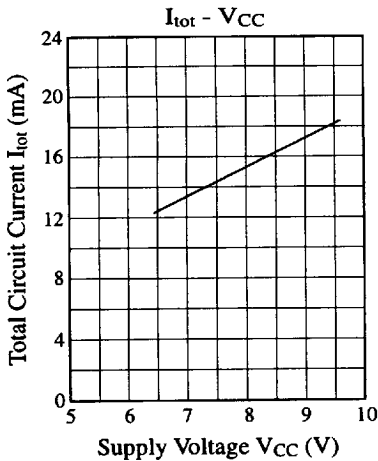
■ Application Circuit



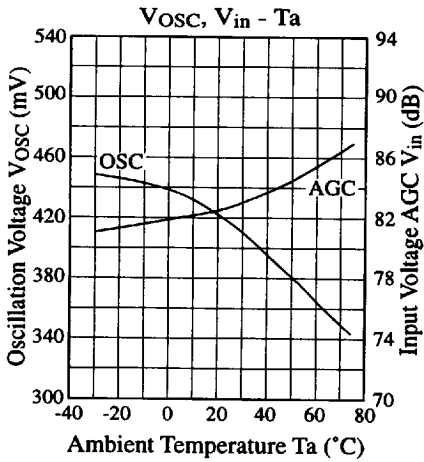
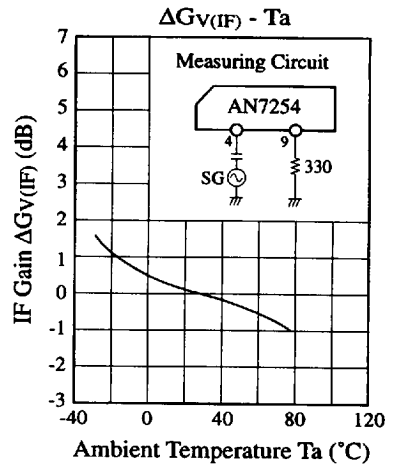
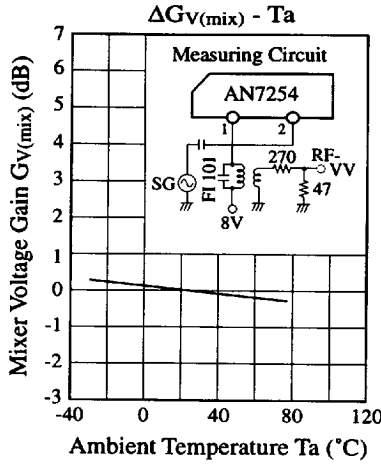
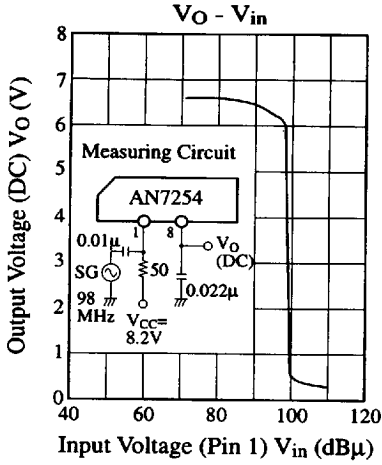
■ Coil Specifications

| Symbol | Use, Freq. | Type No. | Maker | Connection Diagram | Number of Turns | Tuning Cap. | Unloaded Q |
|----------------|-------------------|------------|------------|--------------------|----------------------------------|-------------|------------|
| T ₁ | FM IFT 10.7MHz | EIF-7S752A | Matsushita | | ①...② 8T ②...③ 5T ④...⑥ 2T | 100pF | 90 |

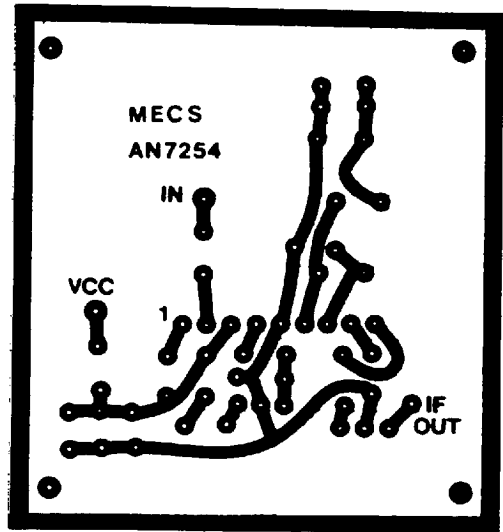
■ Characteristics Curve



■ Characteristics Curve (Continue)



■ Printed Circuit Board Layout (Scale: 1:1)



This datasheet has been download from:

www.datasheetcatalog.com

Datasheets for electronics components.