

AN6612, AN6612S

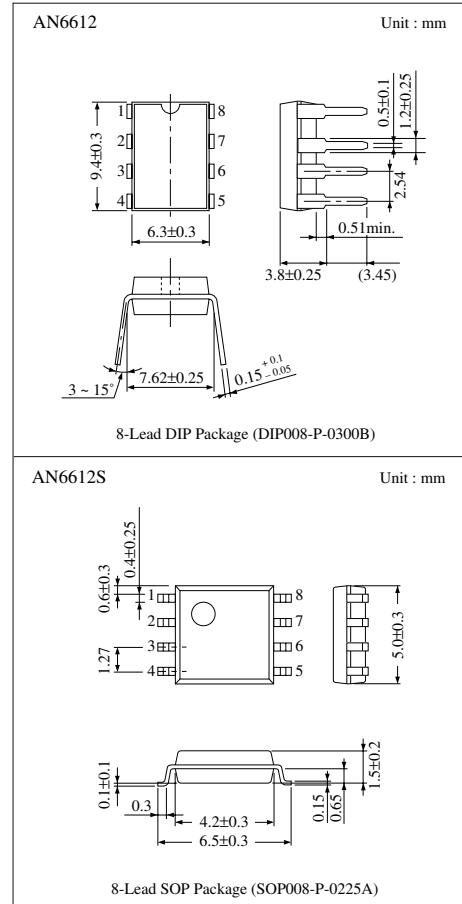
Motor Control Circuits

■ Overview

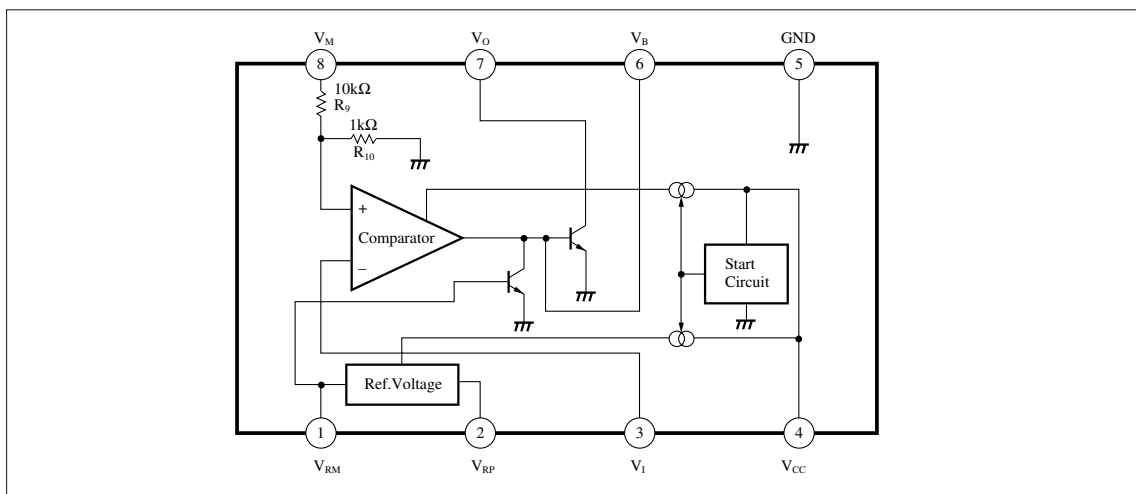
The AN6612 and the AN6612S are the electronic governor circuits suitable for the rotating speed control of a low voltage and compact DC motor which is used for a small tape recorder, etc.

■ Features

- Wide range of operating voltage : $V_{CC(opr)} = 1.8V \sim 8V$
- 2 package types
- Fewer external parts
- Speed control in steps with linear fine control
- Output current limiting circuit is built-in



■ Block Diagram



Pin Descriptions

Pin No.	Pin Name	Pin No.	Pin Name
1	Current Sensor	5	GND
2	Reference Voltage	6	Base
3	Control	7	Output Base
4	V _{CC}	8	Motor pin

Absolute Maximum Ratings (T_a = 25°C)

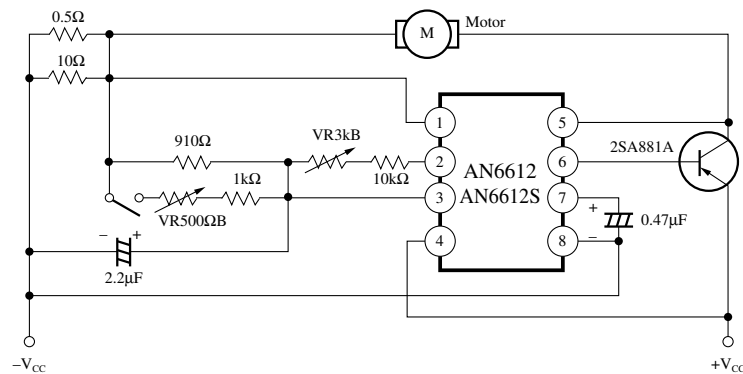
Parameter	Symbol	Rating	Unit
Supply Voltage	V _{CC}	10	V
Supply Current	I ₄	5	mA
Power Dissipation	AN6612	400	mW
	AN6612S	200	
Operating Ambient Temperature	T _{opr}	-20 ~ +75	°C
Storage Temperature	AN6612	-40 ~ +150	°C
	AN6612S	-40 ~ +125	

Electrical Characteristics (T_a = 25°C)

Parameter	Symbol	Condition	min.	typ.	max.	Unit
Supply Current	I ₄	V _{CC} = 3V	—	1.9	3	mA
Reference Voltage	V ₂₋₁	V _{CC} = 3V, R ₂₋₁ = 10kΩ	1.24	1.32	1.40	V
Starting Current	I _a	V _{CC} = 1.8V, R _a = 4.9Ω	250	—	—	mA
Voltage Variable Characteristics for Rotating Speed	ΔN _v	V _{CC} = 1.8V ~ 4V, I _L = 72mA (1.7g · cm)	—	—	10	rpm/V
Time Drift Characteristics for Rotating Speed	ΔN _t	V _{CC} = 3V, I _L = 72mA, t = 15s ~ 10min.	—	0.1	—	%
Temperature Variation Characteristics for Rotating Speed	ΔN _A *	V _{CC} = 3V, I _L = 72mA, T _a = -20°C ~ +60°C	—	-0.035	—	%/°C
Output Current Limit Voltage	V ₁₍₁₋₅₎	V _{CC} = 3V	0.6	0.7	0.8	V

* In case that only IC temperature is changed.

Application Circuit



Motor Constants

R_a : Internal resistor = 4.9Ω
 K_a : Electromotive force constant = 0.4mV/rpm
 K_T : Torque constant = 29g · cm/A

This datasheet has been download from:

www.datasheetcatalog.com

Datasheets for electronics components.