



LOW POWER J-FET SINGLE OPERATIONAL AMPLIFIERS

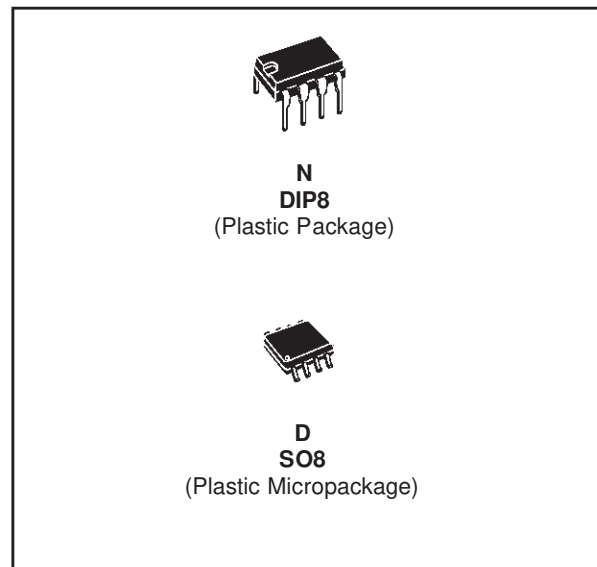
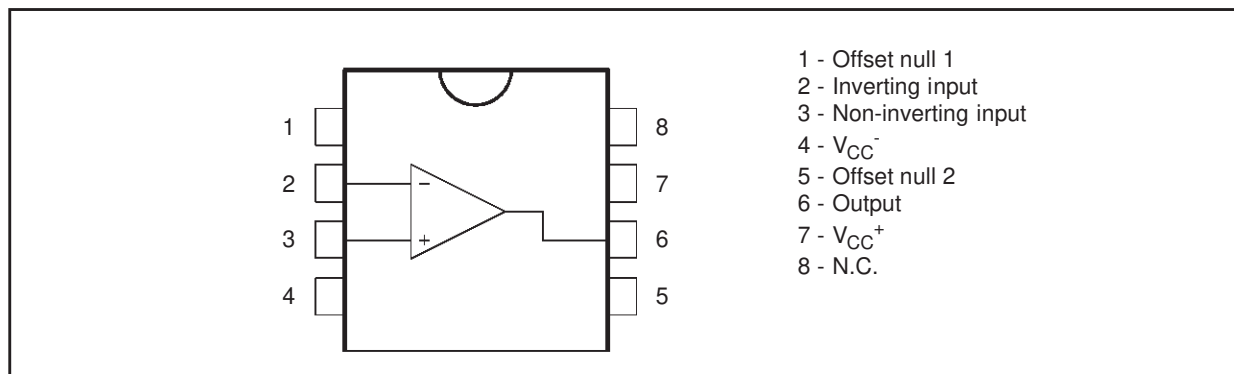
- VERY LOW POWER CONSUMPTION : 200 μ A
- WIDE COMMON-MODE (UP TO V_{CC}^+) AND DIFFERENTIAL VOLTAGE RANGES
- LOW INPUT BIAS AND OFFSET CURRENTS
- OUTPUT SHORT-CIRCUIT PROTECTION
- HIGH INPUT IMPEDANCE J-FET INPUT STAGE
- INTERNAL FREQUENCY COMPENSATION
- LATCH UP FREE OPERATION
- HIGH SLEW RATE : 3.5V/ μ s

DESCRIPTION

The TL061, TL061A and TL061B are high speed J-FET input single operational amplifiers family. Each of these J-FET input operational amplifiers incorporates well matched, high voltage J-FET and bipolar transistors in a monolithic integrated circuit.

The devices feature high slew rates, low input bias and offset currents, and low offset voltage temperature coefficient.

PIN CONNECTIONS (top view)



ORDER CODE

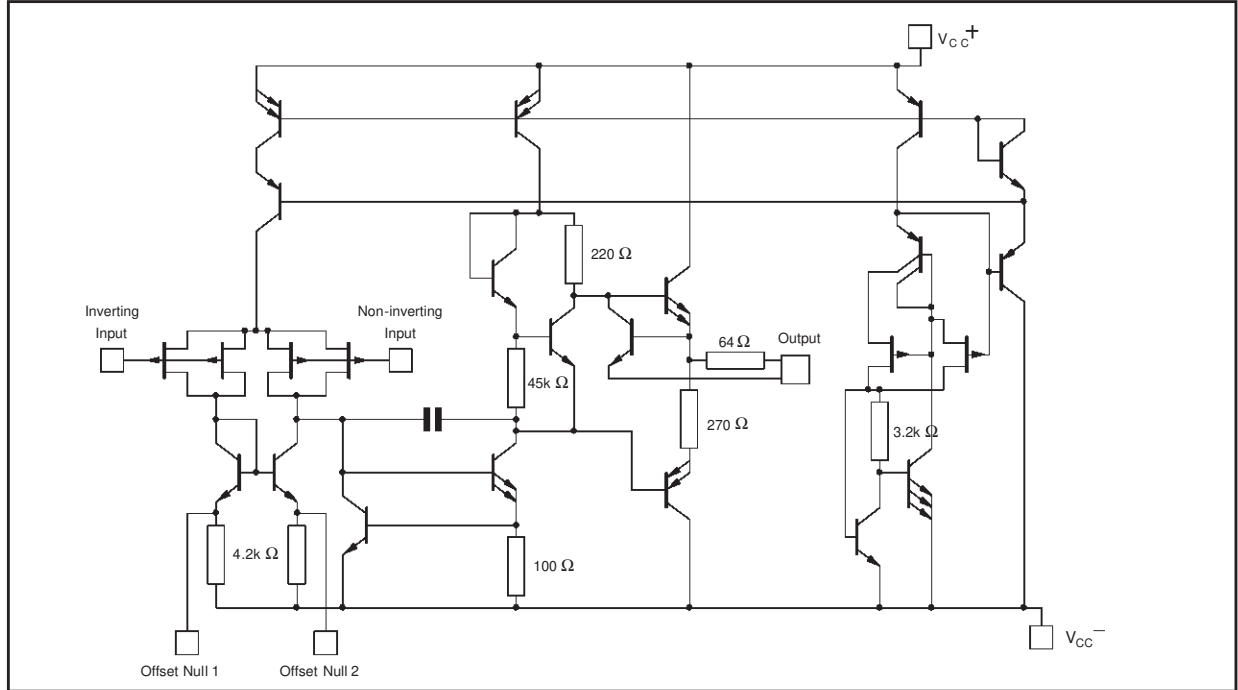
Part Number	Temperature Range	Package	
		N	D
TL061M/AM/BM	-55°C, +125°C	•	•
TL061I/AI/BI	-40°C, +105°C	•	•
TL061C/AC/BC	0°C, +70°C	•	•

Example : TL061IN

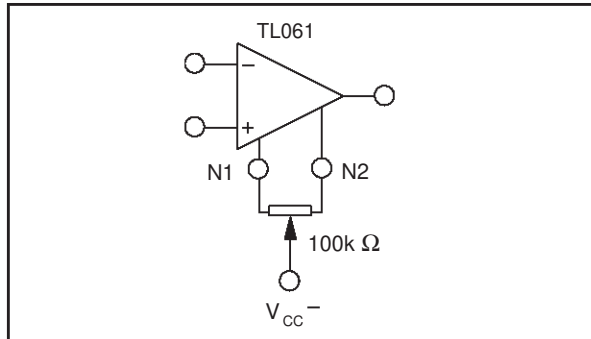
N = Dual in Line Package (DIP)
D = Small Outline Package (SO) - also available in Tape & Reel (DT)

TL061 - TL061A - TL061B

SCHEMATIC DIAGRAM



INPUT OFFSET VOLTAGE NULL CIRCUIT



ABSOLUTE MAXIMUM RATINGS

Symbol	Parameter	TL061M, AM, BM	TL061I, AI, BI	TL061C, AC, BC	Unit
V_{CC}	Supply voltage - note ¹⁾	±18			V
V_i	Input Voltage - note ²⁾	±15			V
V_{id}	Differential Input Voltage - note ³⁾	±30			V
P_{tot}	Power Dissipation	680			mW
	Output Short-circuit Duration - note ⁴⁾	Infinite			
T_{oper}	Operating Free-air Temperature Range	-55 to +125	-40 to +105	0 to +70	°C
T_{stg}	Storage Temperature Range	-65 to +150			°C

- All voltage values, except differential voltage, are with respect to the zero reference level (ground) of the supply voltages where the zero reference level is the midpoint between V_{CC}^+ and V_{CC}^- .
- The magnitude of the input voltage must never exceed the magnitude of the supply voltage or 15 volts, whichever is less.
- Differential voltages are the non-inverting input terminal with respect to the inverting input terminal.
- The output may be shorted to ground or to either supply. Temperature and/or supply voltages must be limited to ensure that the dissipation rating is not exceeded.

ELECTRICAL CHARACTERISTICS

$V_{CC} = \pm 15V$, $T_{amb} = +25^{\circ}C$ (unless otherwise specified)

Symbol	Parameter	TL061M			TL061I			TL061C			Unit
		Min.	Typ.	Max.	Min.	Typ.	Max.	Min.	Typ.	Max.	
V_{io}	Input Offset Voltage ($R_S = 50\Omega$) $T_{amb} = +25^{\circ}C$ $T_{min} \leq T_{amb} \leq T_{max}$		3	6 9		3	6 9		3	15 20	mV
DV_{io}	Temperature Coefficient of Input Offset Voltage ($R_S = 50\Omega$)		10			10			10		$\mu V/^{\circ}C$
I_{io}	Input Offset Current- note 1) $T_{amb} = +25^{\circ}C$ $T_{min} \leq T_{amb} \leq T_{max}$		5	100 20		5	100 10		5	200 5	pA nA
I_{ib}	Input Bias Current -note 1 $T_{amb} = +25^{\circ}C$ $T_{min} \leq T_{amb} \leq T_{max}$		30	200 50		30	200 20		30	400 10	pA nA
V_{icm}	Input Common Mode Voltage Range	± 11.5	+15 -12		± 11.5	+15 -12		± 11	+15 -12		V
V_{opp}	Output Voltage Swing ($R_L = 10k\Omega$) $T_{amb} = +25^{\circ}C$ $T_{min} \leq T_{amb} \leq T_{max}$	20 20	27		20 20	27		20 20	27		V
A_{vd}	Large Signal Voltage Gain $R_L = 10k\Omega$, $V_o = \pm 10V$, $T_{amb} = +25^{\circ}C$ $T_{min} \leq T_{amb} \leq T_{max}$	4 4	6		4 4	6		3 3	6		V/mV
GBP	Gain Bandwidth Product $T_{amb} = +25^{\circ}C$, $R_L = 10k\Omega$, $C_L = 100pF$		1			1			1		MHz
R_i	Input Resistance		10^{12}			10^{12}			10^{12}		Ω
CMR	Common Mode Rejection Ratio $R_S = 50\Omega$	80	86		80	86		70	76		dB
SVR	Supply Voltage Rejection Ratio $R_S = 50\Omega$	80	95		80	95		70	95		dB
I_{CC}	Supply Current, no load $T_{amb} = +25^{\circ}C$, no load, no signal		200	250		200	250		200	250	μA
P_D	Total Power Consumption $T_{amb} = +25^{\circ}C$, no load, no signal		6	7.5		6	7.5		6	7.5	mW
SR	Slew Rate $V_i = 10V$, $R_L = 10k\Omega$, $C_L = 100pF$, $A_V = 1$	1.5	3.5		1.5	3.5		1.5	3.5		V/
t_r	Rise Time $V_i = 20mV$, $R_L = 10k\Omega$, $C_L = 100pF$, $A_V = 1$		0.2			0.2			0.2		μs
K_{ov}	Overshoot Factor (see figure 1) $V_i = 20mV$, $R_L = 10k\Omega$, $C_L = 100pF$, $A_V = 1$		10			10			10		%
e_n	Equivalent Input Noise Voltage $R_S = 100\Omega$, $f = 1KHz$		42			42			42		$\frac{nV}{\sqrt{Hz}}$

1. The input bias currents of a FET-input operational amplifier are normal junction reverse currents, which are temperature sensitive. Pulse techniques must be used that will maintain the junction temperature as close to the ambient temperature as possible.

TL061 - TL061A - TL061B

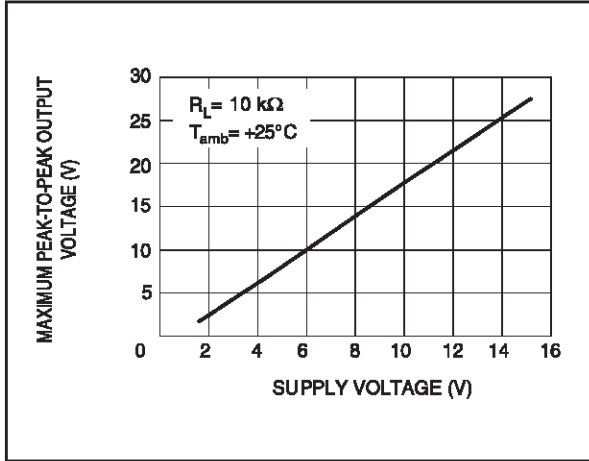
ELECTRICAL CHARACTERISTICS

$V_{CC} = \pm 15V$, $T_{amb} = +25^{\circ}C$ (unless otherwise specified)

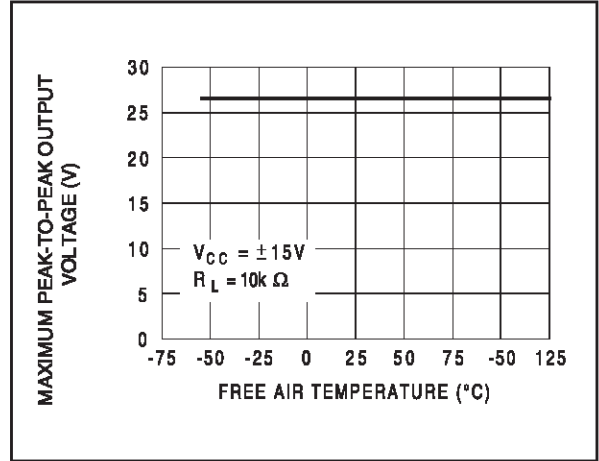
Symbol	Parameter	TL061AC, AI, AM			TL061BC, BI, BM			Unit
		Min.	Typ.	Max.	Min.	Typ.	Max.	
V_{io}	Input Offset Voltage ($R_S = 50\Omega$) $T_{amb} = +25^{\circ}C$ $T_{min} \leq T_{amb} \leq T_{max}$		3	6 7.5		2	3 5	mV
DV_{io}	Temperature Coefficient of Input Offset Voltage ($R_S = 50\Omega$)		10			10		$\mu V/^{\circ}C$
I_{io}	Input Offset Current - note 1) $T_{amb} = +25^{\circ}C$ $T_{min} \leq T_{amb} \leq T_{max}$		5	100 3		5	100 3	pA nA
I_{ib}	Input Bias Current - note 1 $T_{amb} = +25^{\circ}C$ $T_{min} \leq T_{amb} \leq T_{max}$		30	200 7		30	200 7	pA nA
V_{icm}	Input Common Mode Voltage Range	± 11.5	+15 -12		± 11	+15 -12		V
V_{opp}	Output Voltage Swing ($R_L = 10k\Omega$) $T_{amb} = +25^{\circ}C$ $T_{min} \leq T_{amb} \leq T_{max}$	20 20	27		20 20	27		V
A_{vd}	Large Signal Voltage Gain $R_L = 10k\Omega$, $V_o = \pm 10V$, $T_{amb} = +25^{\circ}C$ $T_{min} \leq T_{amb} \leq T_{max}$	4 4	6		4 4	6		V/mV
GBP	Gain Bandwidth Product $T_{amb} = +25^{\circ}C$, $R_L = 10k\Omega$, $C_L = 100pF$		1			1		MHz
R_i	Input Resistance		10^{12}			10^{12}		Ω
CMR	Common Mode Rejection Ratio $R_S = 50\Omega$	80	86		80	86		dB
SVR	Supply Voltage Rejection Ratio $R_S = 50\Omega$	80	95		80	95		dB
I_{CC}	Supply Current, no load $T_{amb} = +25^{\circ}C$, no load, no signal		200	250		200	250	μA
P_D	Total Power Consumption $T_{amb} = +25^{\circ}C$, no load, no signal		6	7.5		6	7.5	mW
SR	Slew Rate $V_i = 10V$, $R_L = 10k\Omega$, $C_L = 100pF$, $A_v = 1$	1.5	3.5		1.5	3.5		V/ μs
t_r	Rise Time $V_i = 20mV$, $R_L = 10k\Omega$, $C_L = 100pF$, $A_v = 1$		0.2			0.2		μs
K_{ov}	Overshoot Factor (see figure 1) $V_i = 20mV$, $R_L = 10k\Omega$, $C_L = 100pF$, $A_v = 1$		10			10		%
e_n	Equivalent Input Noise Voltage $R_S = 100\Omega$, $f = 1KHz$		42			42		$\frac{nV}{\sqrt{Hz}}$

1. The input bias currents of a FET-input operational amplifier are normal junction reverse currents, which are temperature sensitive. Pulse techniques must be used that will maintain the junction temperature as close to the ambient temperature as possible.

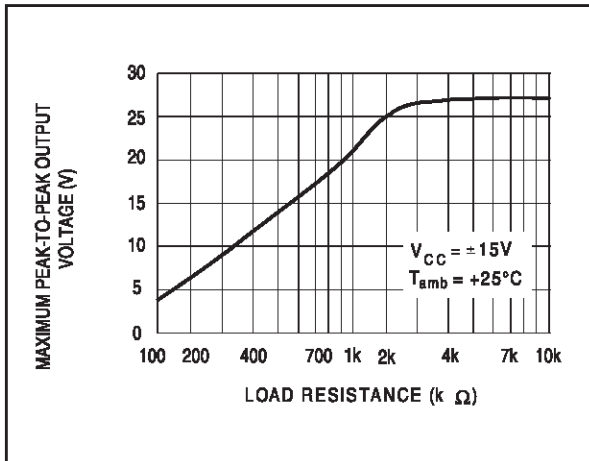
MAXIMUM PEAK-TO-PEAK OUTPUT VOLTAGE versus SUPPLY VOLTAGE



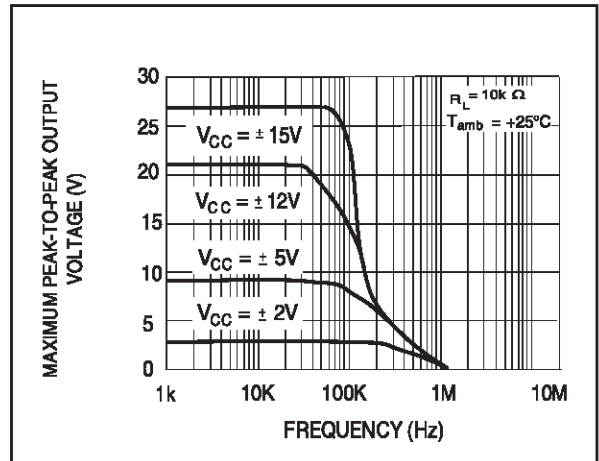
MAXIMUM PEAK-TO-PEAK OUTPUT VOLTAGE versus FREE AIR TEMPERATURE



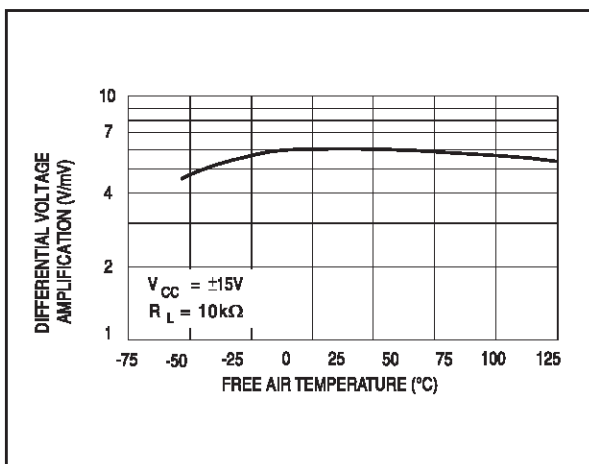
MAXIMUM PEAK-TO-PEAK OUTPUT VOLTAGE versus LOAD RESISTANCE



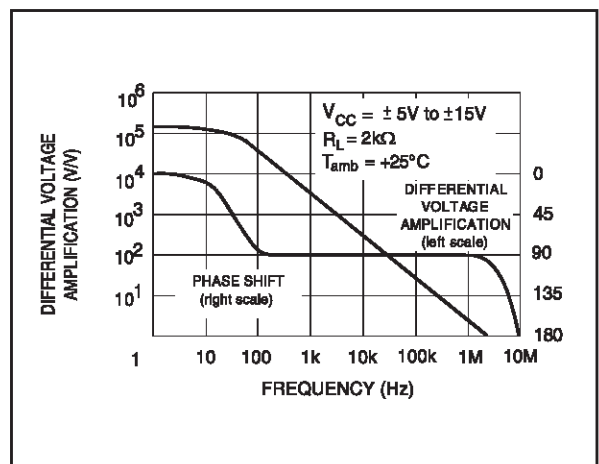
MAXIMUM PEAK-TO-PEAK OUTPUT VOLTAGE versus FREQUENCY



DIFFERENTIAL VOLTAGE AMPLIFICATION versus FREE AIR TEMPERATURE

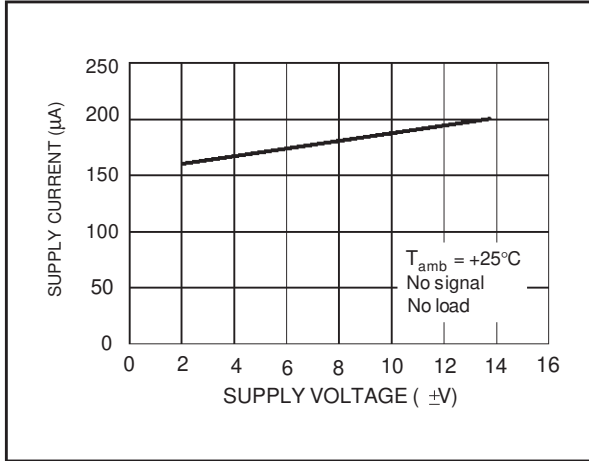


LARGE SIGNAL DIFFERENTIAL VOLTAGE AMPLIFICATION AND PHASE SHIFT versus FREQUENCY

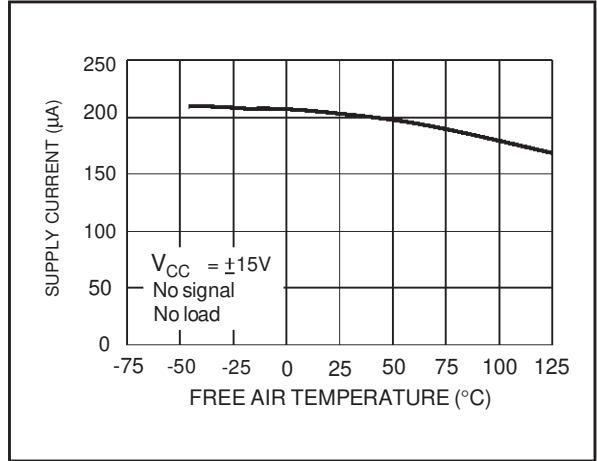


TL061 - TL061A - TL061B

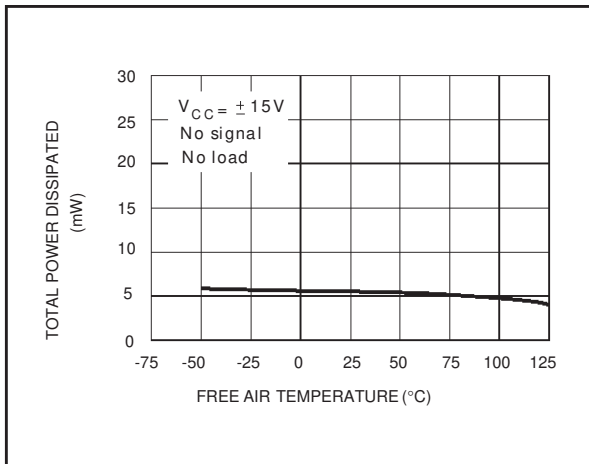
SUPPLY CURRENT PER AMPLIFIER versus SUPPLY VOLTAGE



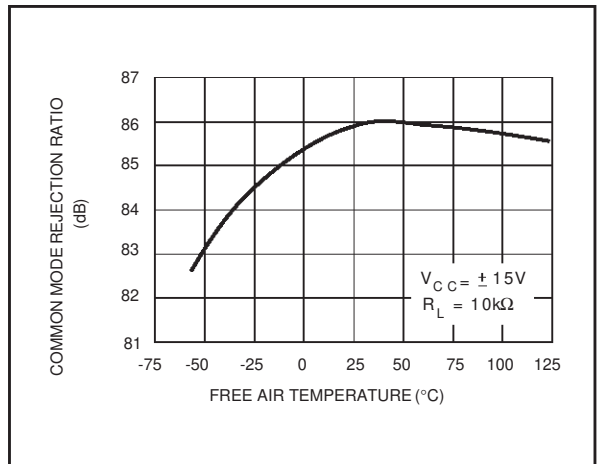
SUPPLY CURRENT PER AMPLIFIER versus FREE AIR TEMPERATURE



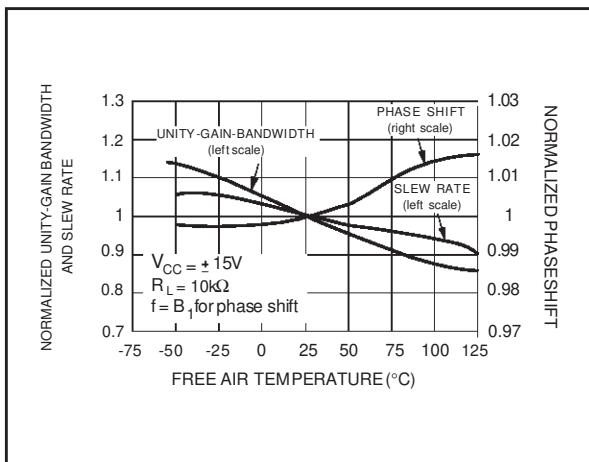
TOTAL POWER DISSIPATED versus FREE AIR TEMPERATURE



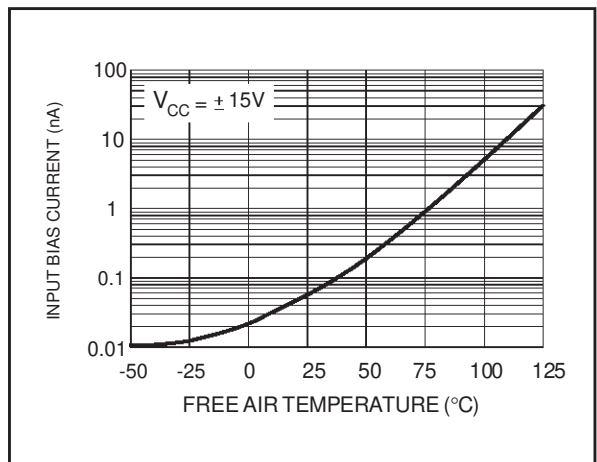
COMMON MODE REJECTION RATIO versus FREE AIR TEMPERATURE



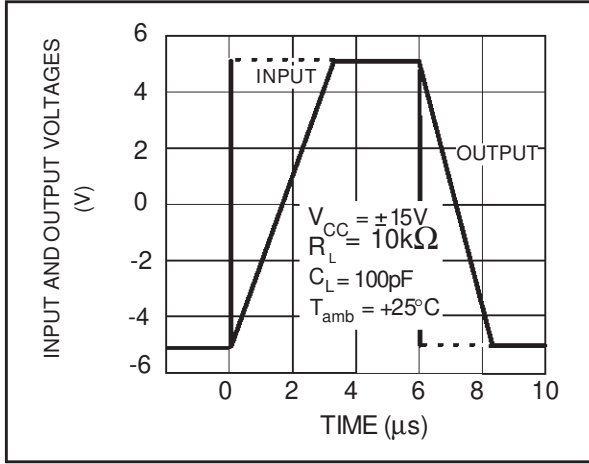
NORMALIZED UNITY GAIN BANDWIDTH, SLEW RATE, AND PHASE SHIFT versus TEMPERATURE



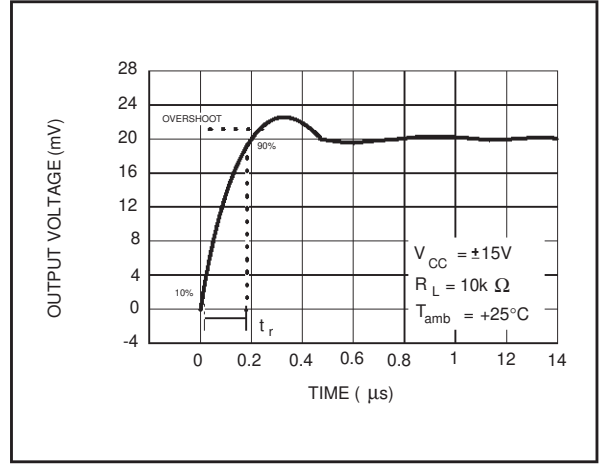
INPUT BIAS CURRENT versus FREE AIR TEMPERATURE



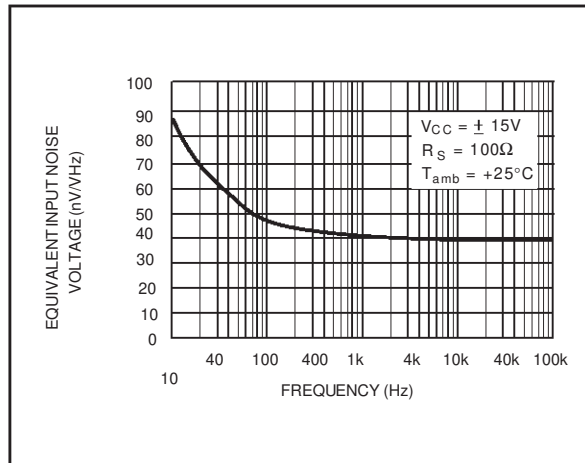
VOLTAGE FOLLOWER LARGE SIGNAL PULSE RESPONSE



OUTPUT VOLTAGE versus ELAPSED TIME



EQUIVALENT INPUT NOISE VOLTAGE versus FREQUENCY



PARAMETER MEASUREMENT INFORMATION

Figure 1 : Voltage Follower

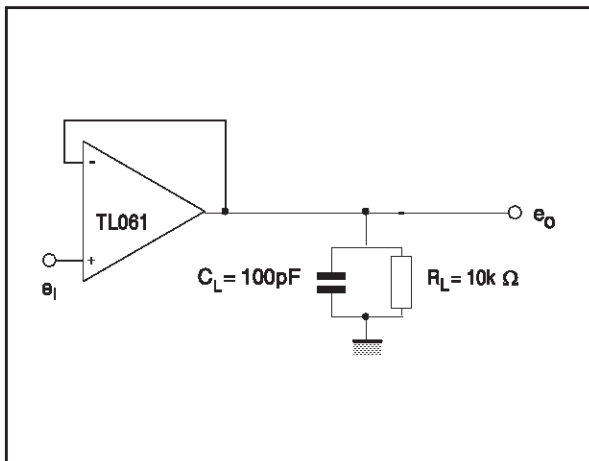
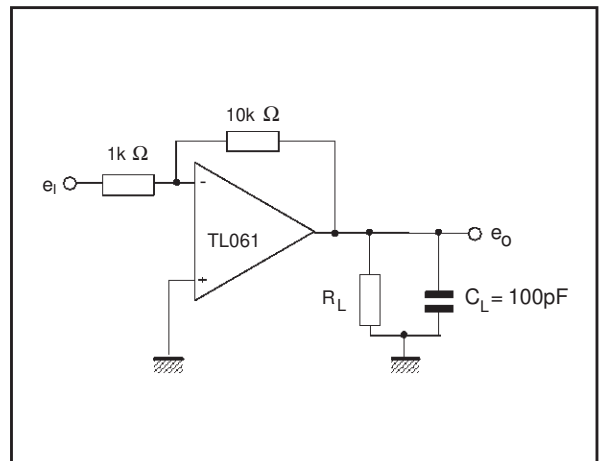


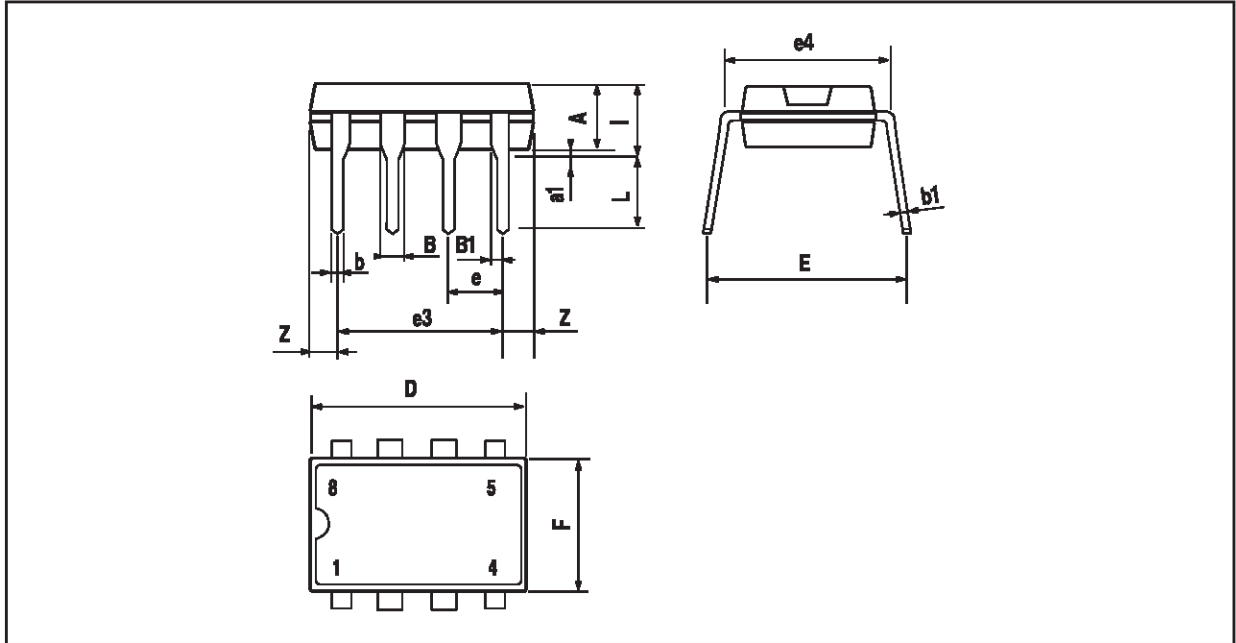
Figure 2 : Gain-of-10 inverting amplifier



TL061 - TL061A - TL061B

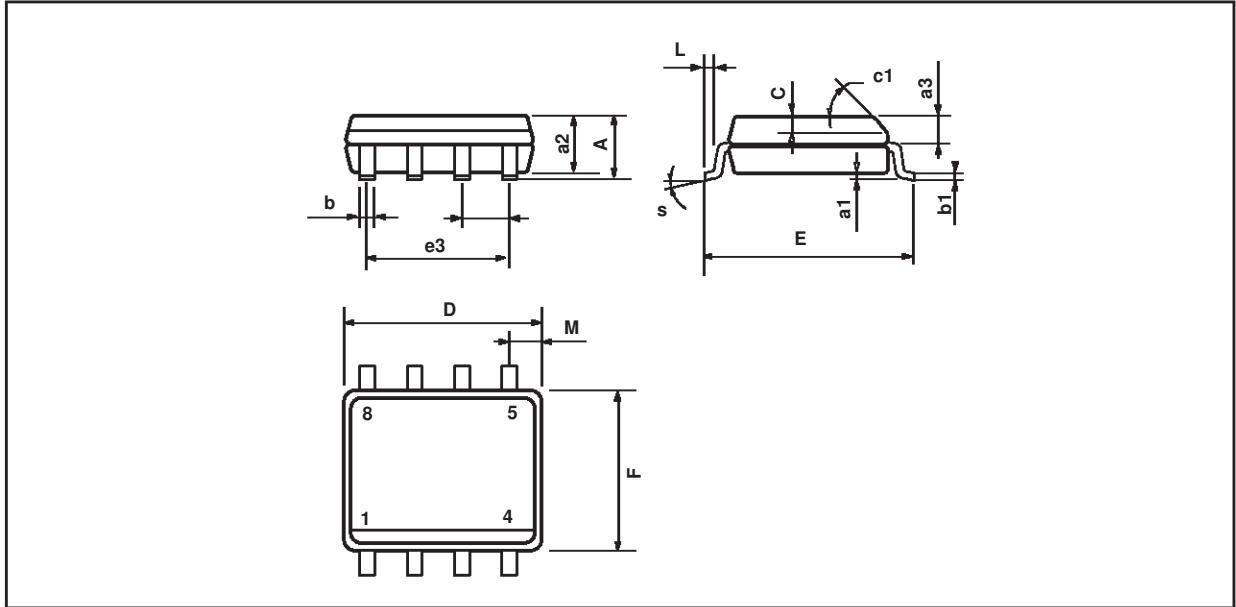
PACKAGE MECHANICAL DATA

8 PINS - PLASTIC DIP



Dimensions	Millimeters			Inches		
	Min.	Typ.	Max.	Min.	Typ.	Max.
A		3.32			0.131	
a1	0.51			0.020		
B	1.15		1.65	0.045		0.065
b	0.356		0.55	0.014		0.022
b1	0.204		0.304	0.008		0.012
D			10.92			0.430
E	7.95		9.75	0.313		0.384
e		2.54			0.100	
e3		7.62			0.300	
e4		7.62			0.300	
F			6.6			0.260
i			5.08			0.200
L	3.18		3.81	0.125		0.150
Z			1.52			0.060

PACKAGE MECHANICAL DATA
 8 PINS - PLASTIC MICROPACKAGE (SO)



Dimensions	Millimeters			Inches		
	Min.	Typ.	Max.	Min.	Typ.	Max.
A			1.75			0.069
a1	0.1		0.25	0.004		0.010
a2			1.65			0.065
a3	0.65		0.85	0.026		0.033
b	0.35		0.48	0.014		0.019
b1	0.19		0.25	0.007		0.010
C	0.25		0.5	0.010		0.020
c1	45° (typ.)					
D	4.8		5.0	0.189		0.197
E	5.8		6.2	0.228		0.244
e		1.27			0.050	
e3		3.81			0.150	
F	3.8		4.0	0.150		0.157
L	0.4		1.27	0.016		0.050
M			0.6			0.024
S	8° (max.)					

Information furnished is believed to be accurate and reliable. However, STMicroelectronics assumes no responsibility for the consequences of use of such information nor for any infringement of patents or other rights of third parties which may result from its use. No license is granted by implication or otherwise under any patent or patent rights of STMicroelectronics. Specifications mentioned in this publication are subject to change without notice. This publication supersedes and replaces all information previously supplied. STMicroelectronics products are not authorized for use as critical components in life support devices or systems without express written approval of STMicroelectronics.

© The ST logo is a registered trademark of STMicroelectronics

© 2001 STMicroelectronics - Printed in Italy - All Rights Reserved
 STMicroelectronics GROUP OF COMPANIES

Australia - Brazil - China - Finland - France - Germany - Hong Kong - India - Italy - Japan - Malaysia - Malta - Morocco
 Singapore - Spain - Sweden - Switzerland - United Kingdom

© <http://www.st.com>



This datasheet has been download from:

www.datasheetcatalog.com

Datasheets for electronics components.