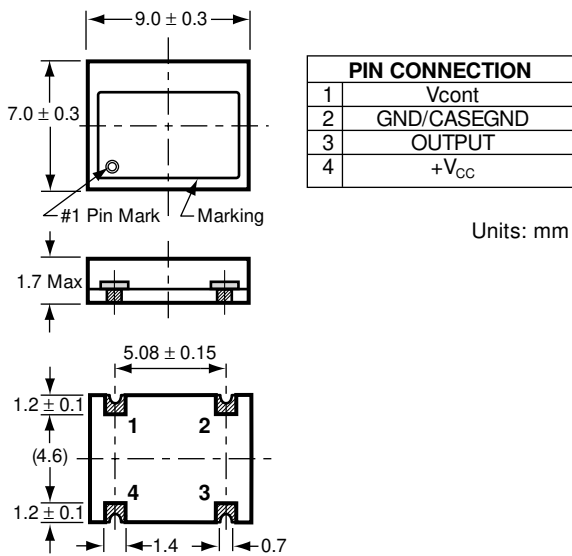


KT14 Series SMT Crystal Clock Oscillators

Temperature Compensated



KT14



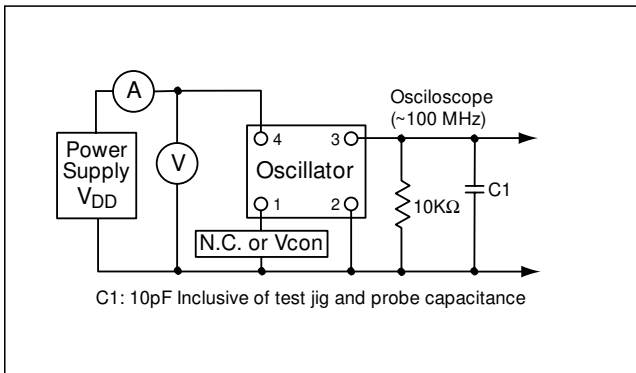
HOW TO ORDER

KT14 - E G R 28 N - 19.200M T

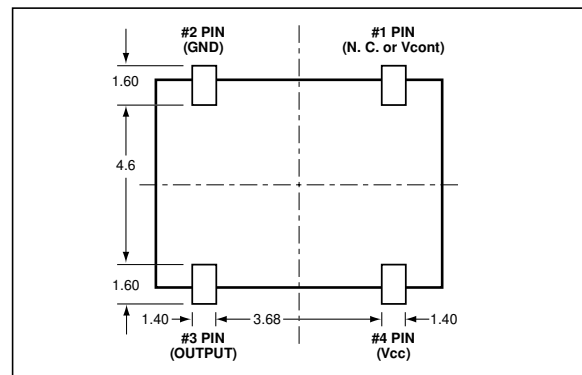
① ② ③ ④ ⑤ ⑥ ⑦ ⑧

- ① **Type**
- ② **Frequency Precision:**
D=±2ppm, E=±2.5ppm, K=±5ppm
- ③ **Lower Temperature Limit:**
C=-30°C; E=-20°C, G=-10°C
- ④ **Upper Temperature Limit:**
V=80°C; T=70°C; R=60°C
- ⑤ **Supply Voltage:** 28=2.8V, 30=3.0V;
- ⑥ **AFC Function:** V=with, N=without
- ⑦ **Output Frequency:** 12.8M, 13.0M, 14.4M, 14.85M, 16.8M, 19.2M, 19.44M, 19.68M
- ⑧ **Reel Packaging:** 2000 pcs per reel

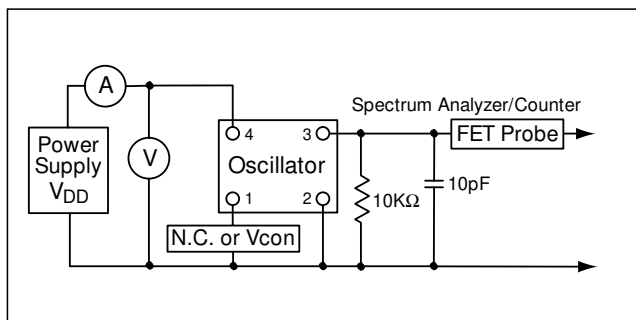
Test Circuit (Amplitude)



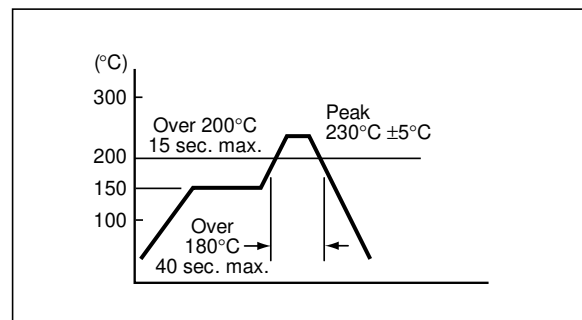
KT14 Recommended Pad Layout



Test Circuit (Harmonic Frequency)



Recommended Reflow Profile



Additional information on this product is available from AVX's catalog or AVX's FAX Service. Call 1-800-879-1613 and request document #138. Visit our website <http://www.avxcorp.com>

