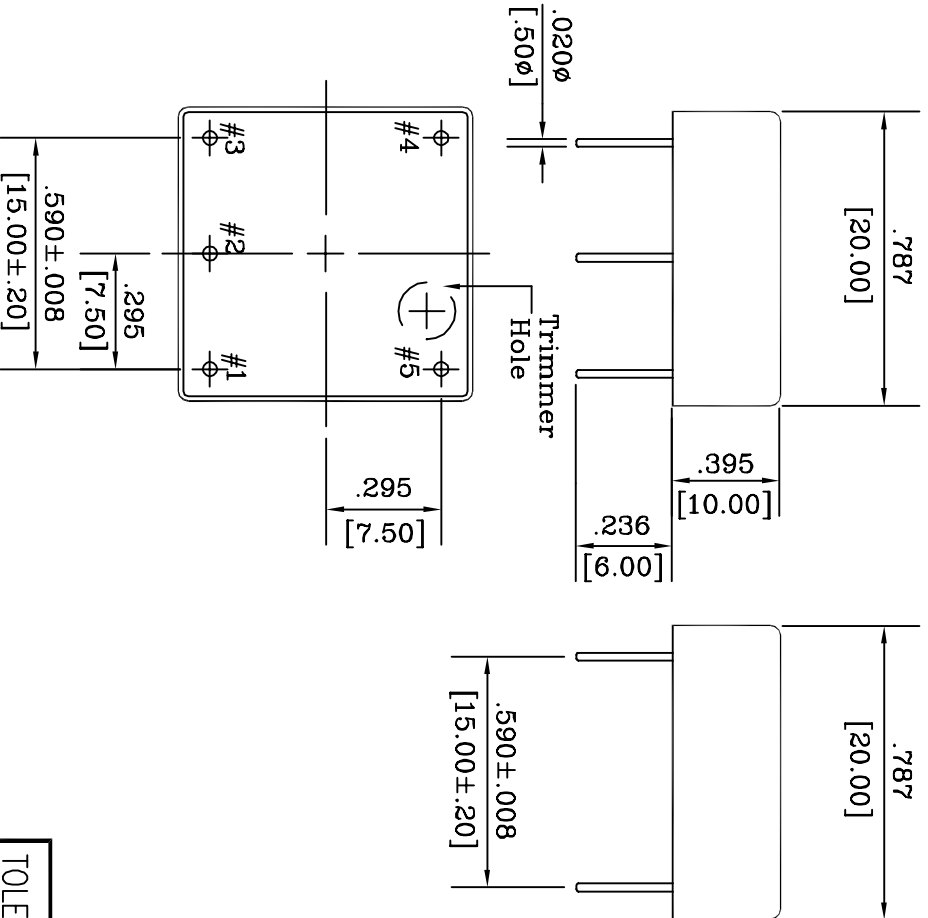


PDI Date Code Frequency
Last 7 Digits of PDI P/N

Traceability Code



DATE	SYM	REVISION RECORD	AUTH.	DR.	CK.
10/02	A	Added Traceability Code to Marking			E00031
2/03	B	Corrected Logic Level			E00068

ELECTRICAL SPECIFICATIONS:

- Center Frequency: 32.768000 Mhz
- Frequency Stability:
vs. Temperature: ± 2.0 ppm (0°C to +70°C)
- vs. Aging: ± 1.0 ppm per year at 25°C
- vs. Supply Voltage: ± 0.5 ppm Max. for a 5% Change
- Operating Temperature Range: 0°C to +70°C
- Supply Voltage: +5.0Vdc $\pm 5\%$
- Supply Current: 10.0mA Max.
- Output Characteristics:
Output: HCMOS
Logic Levels: <math> < 0.40V < /math> and greater than 2.50V
Load Impedance: 20K Ohms//5.0pf
- Frequency Adjustment: ± 5.0 ppm min. via internal trimmer.

PIN	CONNECTION
1	Vcc
2	Output
3	Ground
4	Ground
5	Ground

TOLERANCES (EXCEPT AS NOTED)		PRECISION DEVICES INC.	
DECIMAL	Tolerance: Decimal: $\pm .004$ Metric: $\pm [.10]$		
FRACTIONAL		TITLE Temperature Controlled Crystal Oscillator	
ANGULAR		DATE	DRAWING NUMBER
		2/21/03	TC23332768XHMAXX (FKA 17297)
SCALE		DRAWN BY	
N.T.S.		APPROVED BY	