

Precision Devices, Inc.



8840 N. Greenview Dr.
 Middleton, WI 53562
 Phone: 608-831-4445
 1-800-274-XTAL
 Fax: 608-831-3343



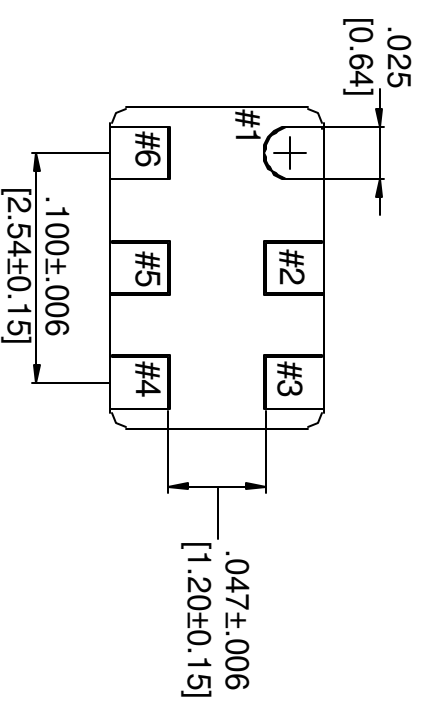
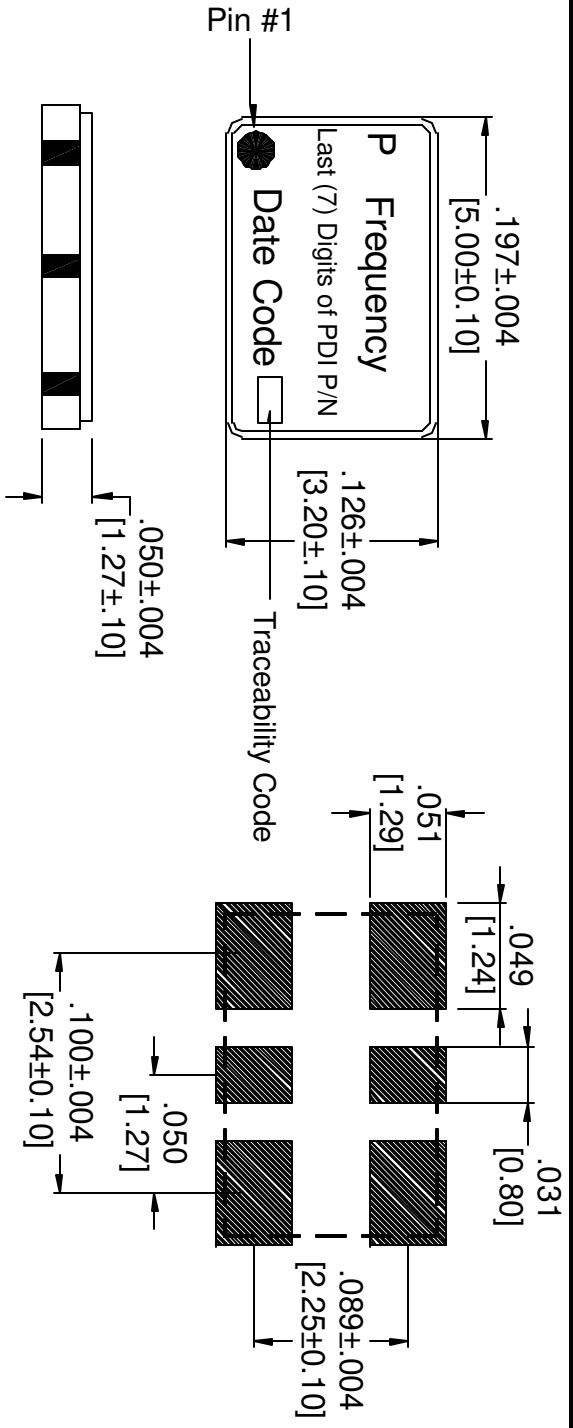
Visit our web site at www.pdixtal.com

Sales Information sales@pdixtal.com

Electrical Specifications

1. Center Frequency: 24.576000 MHz
2. Output: HCMOS
3. Frequency Stability: ± 50 ppm (Stability is inclusive of initial tolerance, operating temperature range, supply voltage change, load change, aging, shock and vibration)
4. Absolute Pull Range: ± 50 ppm Minimum
5. Operating Temperature Range: -20°C to $+70^{\circ}\text{C}$
6. Storage Temperature Range: -55°C to $+125^{\circ}\text{C}$
7. Supply Voltage: $+3.3\text{Vdc} \pm 5\%$
8. Supply Current: 35mA Maximum
9. Duty Cycle: 45/55% Maximum
10. Rise/Fall Times: 5nS Maximum
11. Start up Time: 10mS Maximum
12. Output Load: 15pF
13. Output Voltage: VOL: 10%Vdd Maximum
VOH: 90%Vdd Minimum
14. Enable/Disable Time: 100nS Maximum
15. Output Enable Voltage: 70% Vdd Minimum
16. Output Disabled Voltage: 30% Vdd Maximum
17. Control Voltage: 0V ~ 3.3V

REV.	DATE	PAGE	DESCRIPTION	Auth.	ECN	FOR PRELIMINARY USE ONLY			
						Specifications subject to change without notice.			
						TITLE Ceramic SMD Crystal Oscillator		FKA 65675R	
						PART NUMBER VC0524576XHCBRX			
						DATE 6/9/10	SCALE N.T.S.	ECN. N/A	REV. N/A
						SIZE A	CAGE 0S4G1	Page 1 of 2	



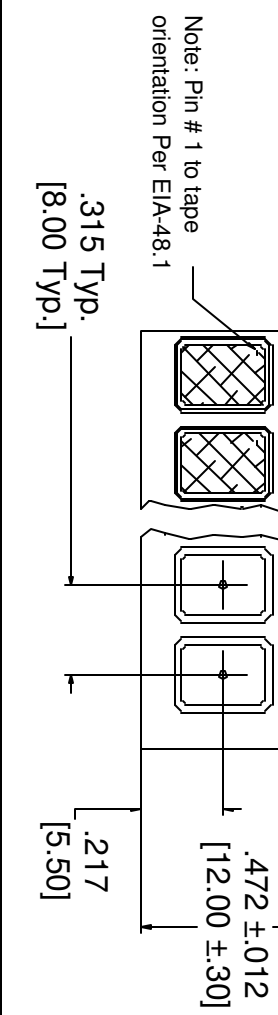
Pin	Connections
1	Voltage Control
2	Enable/Disable
3	Ground
4	Output
5	No Connect
6	Vdd



Precision Devices Inc.

8840 N. Greenview Dr.
 Middleton WI 53562
 608-831-4445
 1-800-274-XTAL

Manufacturer of Quartz Crystal Products



Note: Pin # 1 to tape orientation Per EIA-48.1

DECIMAL		DWG FILE		PART NUMBER	
XX±.020	XXX±.008	65675R		VC0524576XHCBRX	
METRIC		SCALE		FREQUENCY	
XX±.50	XXX±.20	N.T.S.		24.576000 MHZ	
ANGULAR		DRAWING TYPE		DATE	
XX±2°		Ceramic SMD Crystal Oscillator		6/9/10	
REV. LEVEL		ECON NO.		CAGE CODE	
N/A		N/A		0S4G1	
Page 2 of 2					