
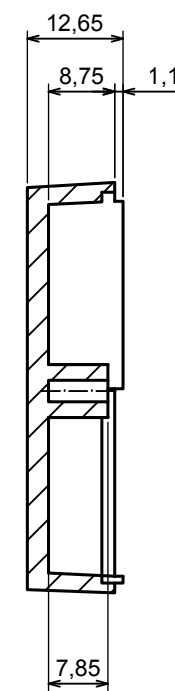
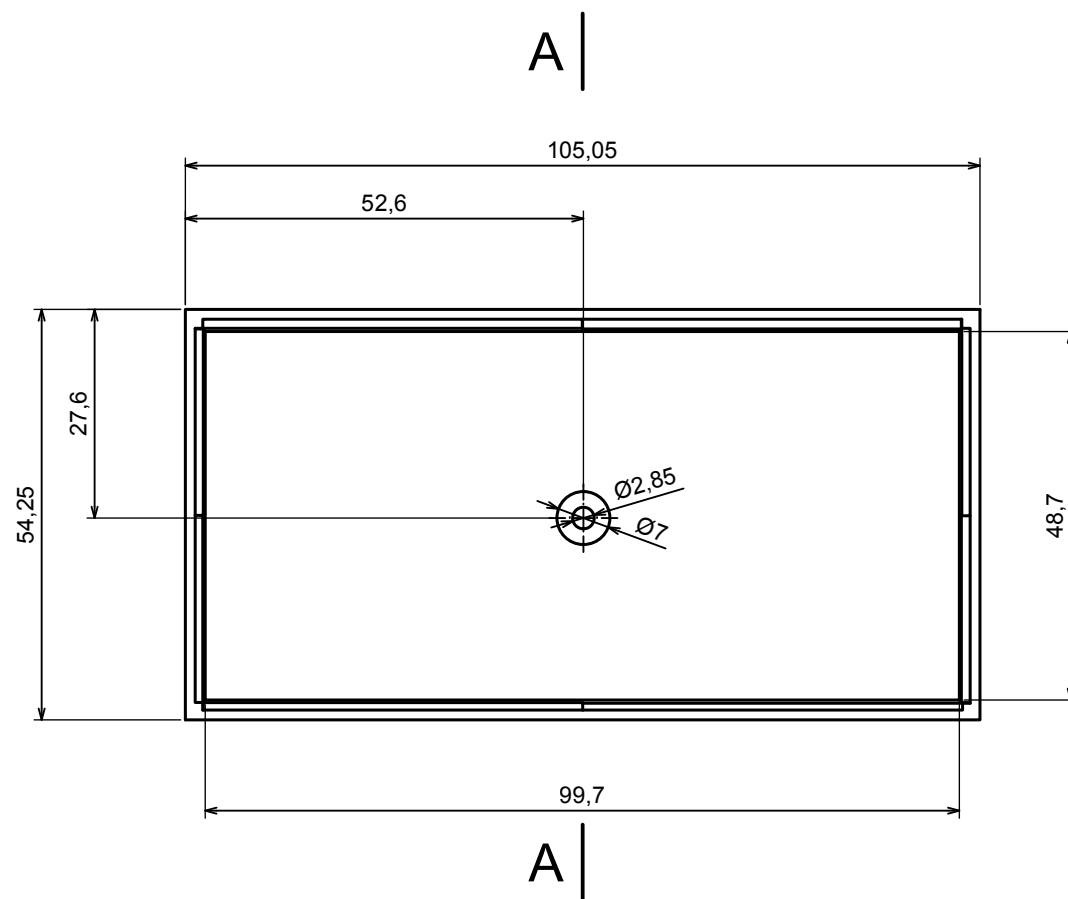


All rights reserved, Copyright Kradox 2016		
Product model	Enclosure Z7B - assembly	
Format: A3	Material: PS, ABS	
Scale 1:1	Tolerance: +/- 0.5	



All rights reserved, Copyright Kradex 2016

Product model: Enclosure Z7B - base / cover

Format: A3      Material: PS, ABS

Scale 1:1      Tolerance: +/- 0.5

