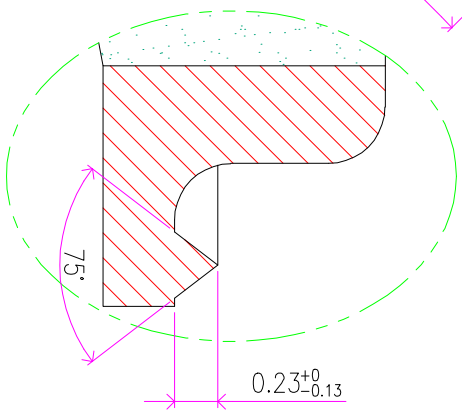
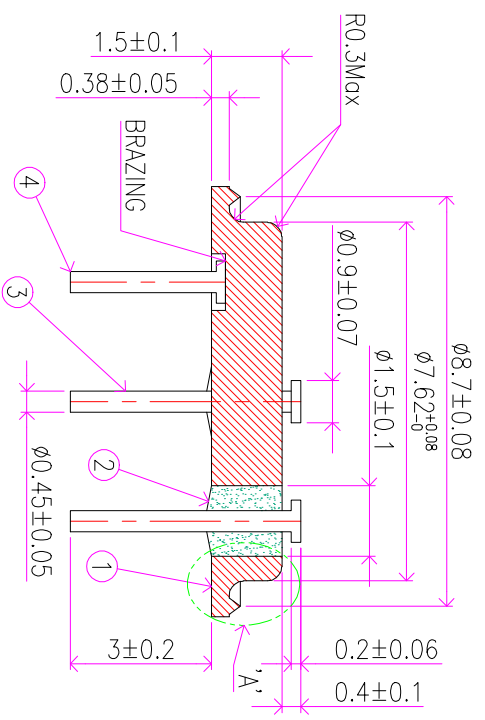
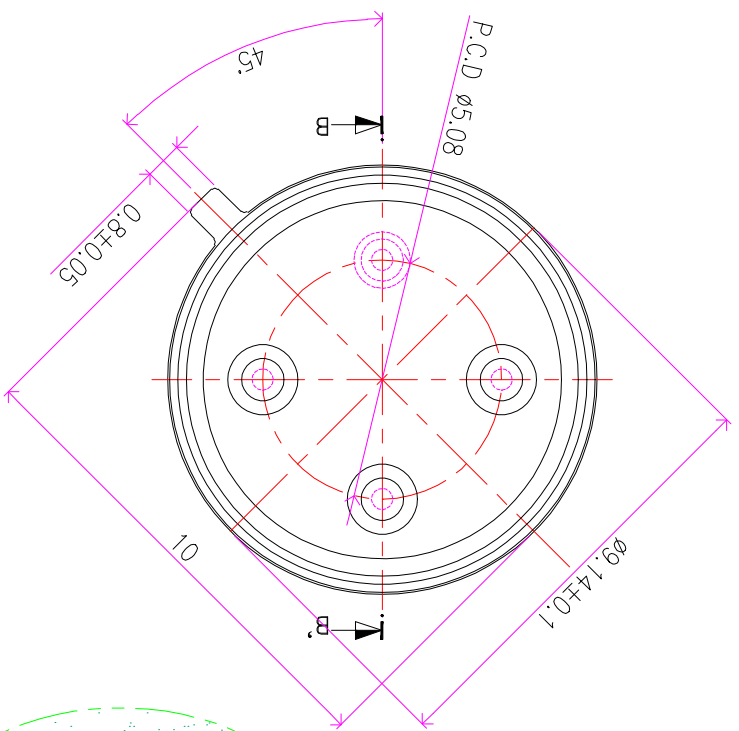


ITEM	DESCRIPTION	MATERIAL	QTY	SIZE	PART DRAWN NO	WT(Kg)
1	HEADER	SPCC	1	-	JD-MH-027	-
2	GLASS	HARD	3	-	JD-MG-041	-
3	LEAD	KOVAR	3	-	JD-ML-074	-
4	GND LEAD	KOVAR	1	-	JD-ML-073	-
5	BRAZED	Bag-8	1	-	JD-MG-007-3	-



Detail of 'A'  
<Scale 4:1>

NOTE  
 1. Insulation level : AC500V 1Sec, Not electrified;  
 2. Lead :  $\leq 1X10^{-8}$  atm.cc/sec;  
 3. Insulation resistance : Header & Lead  $\geq 10$  DC200V  $> 10G\Omega$ ;  
 4. Lead Soldering level :  $> 3.0$  Kg.  
 5. Ni-ELP 3~5 $\mu$ m + Au PLATING 0.03 $\mu$ m Min.

Section B-B'

Designed by	Checked by	Approved	Reference	Date	Scale	Sheet
		JD-B-106-1Au		2015.07	-	
<b>Tarom ELECTRONICS CORP.</b>			Project Title			
			TO-39-2 3P4L OUTER3 0			
<b>Tarom ELECTRONICS CORP.</b>			Drawing No.			
			GEC-T039-106			
Mark	Revision	Date	Drawn	Check	Appr	Note