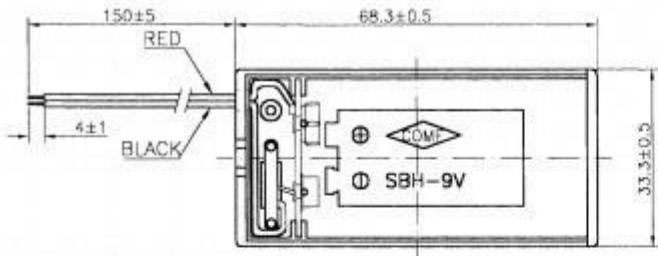




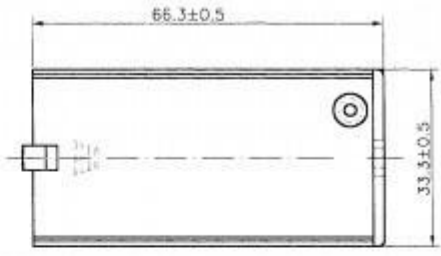
- Data Group: 1482
- SKU: 9911067
- Weight (Kg): 0.1000
- Description: SBH-9VAS
- HS Code: 8501.31.6000
- Applications:

SBH-9VA,AS: 150 mm lead wires, stripped and tinned 5 mm, UL1007 AWG#26, with switch

SBH-9VP: with pin connection



BOTTOM




COVER

SPECIFICATION

- (1) ITEM NO: SBH-9VAS
- (2) WIRE: UL1007 AWG#26
BLACK & RED : 150MM±5MM
STRIP & TIN : 4MM±1MM
- (3) WITH 6 PRONG SNAP TERMINAL
- (4) MATERIAL: ABS RESIN, BLACK COLOR
- (5) SWITCH: SS-12F-15-G4

3				
2				
1				
NO.	MODIFICATION	DATE	NAME	BATTERY HOLDER SBH-9VAS
			SCALE	1:1
			UNIT	MM
			MAT'L	ABS
			DATE	APR. 30, 2003
			APPD	<i>shu qiao Ling</i>
			CHKD	<i>[Signature]</i>
			DWN	LIHAIPING
			DR NO	S9VAS-0403



THIRD ANGLE PROJECTION

**SBH-9VA
SBH-9VAS
SBH-9VP**

FOR ONE "9V" CELL

