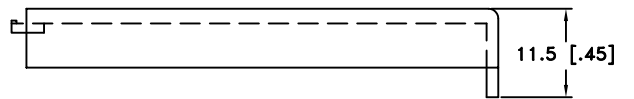
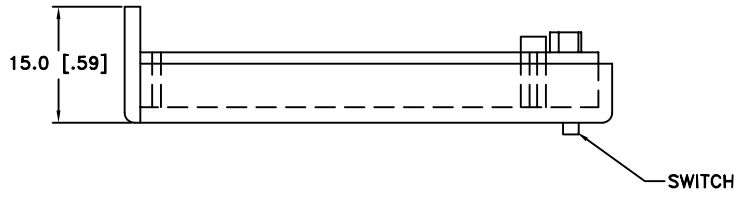
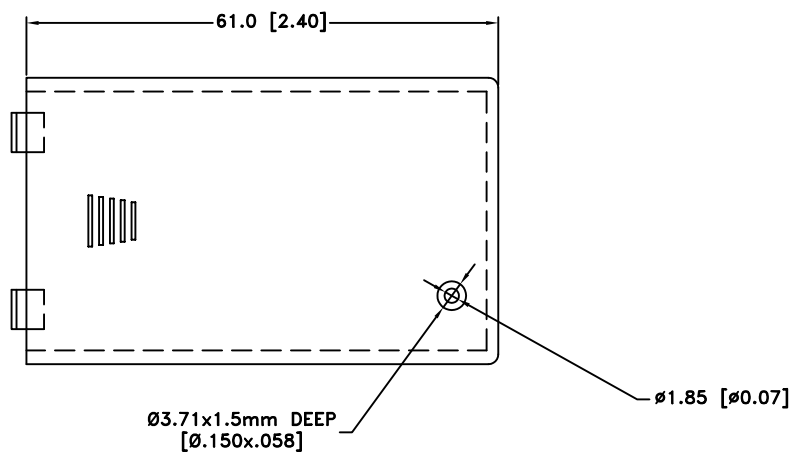
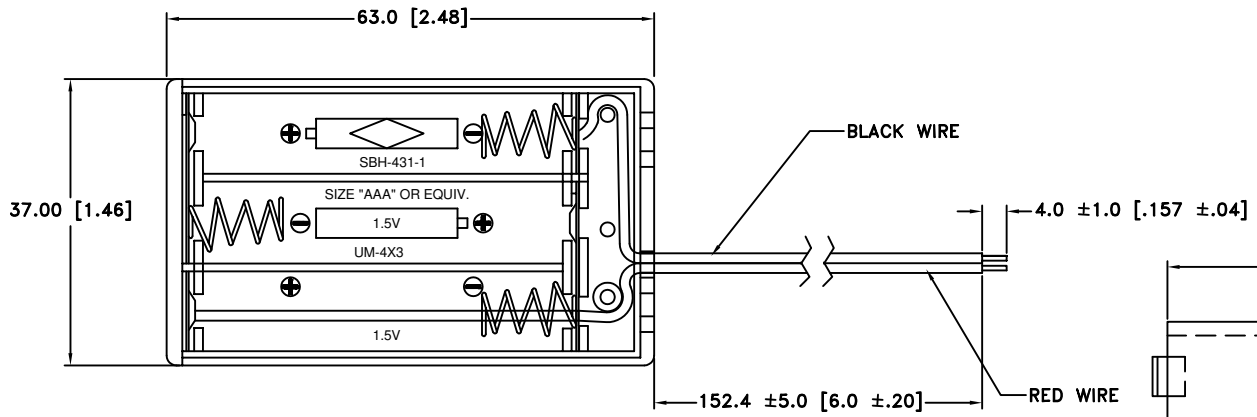


Date	SYM	REVISION RECORD	AUTH	DR.	CK.
6/20/08	A	ADDED "ROHS COMPLIANT"	T.B.	B.S.	




BOTTOM-HOUSING

TOP COVER

NOTES:

- 1. ITEM NO. SBH-431-1AS
- 2. MATERIAL:
 - HOUSING AND COVER: BLACK ABS
 - WIRE: UL1007, AWG #26, BLACK AND RED-152.4mm LONG, STRIPPED AND TINNED- 5mm LONG
 - SPRING: 0.5mm, 65C, SPRING WIRE
- 3. ROHS COMPLIANT

Tolerance (Except as noted)	 Memory Protection Devices, Inc 200 Broad Hollow Road, Farmingdale, New York 11735	Scale	Drawn By B.S.
			Approved By T.B.
decimal ±.5 (.020)	Title 3 CELL "AAA" HOLDER WITH COVER AND SWITCH	Date 6/20/08	
Fractional ± .8 (.030)		Drawing Number SBH-431-1AS	
Angular ± 3°			