

WEIGHT:45g(APPROX)

RF-500TB

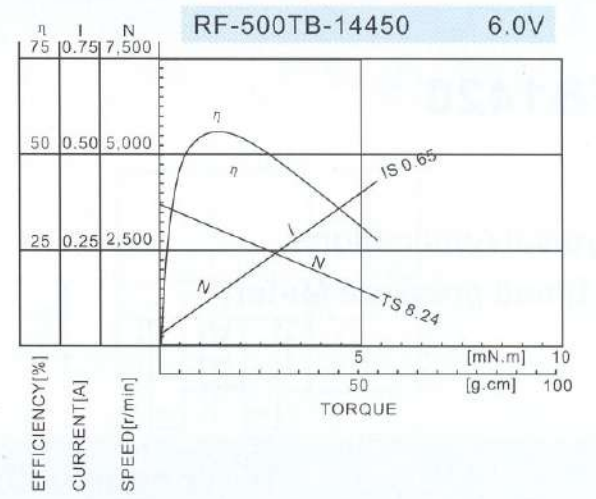
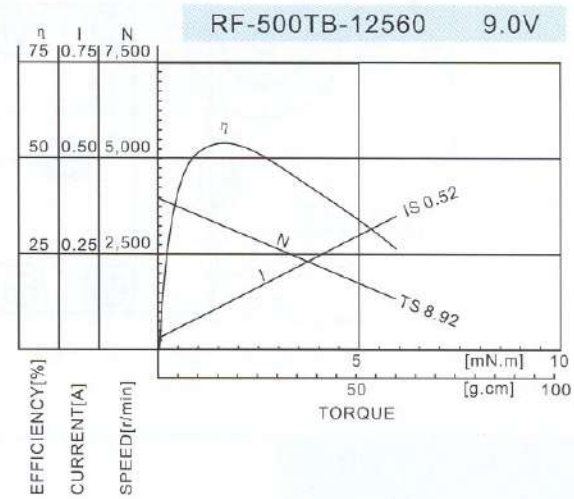
OUTPUT:APPROX 0.03W-1.5W

Precious Metal-brush Motors

Typical Applications/

Audio and Visual Equipments:

- CD Player



MODEL	VOLTAGE		NO LOAD		AT MAXIMUM EFFICIENCY				STARTING			
	OPERATING RANGE	NOMINAL	SPEED	CURRENT	SPEED	CURRENT	TORQUE		OUTPUT	TORQUE		CURRENT
			r/min	A	r/min	A	mN.m	g.cm	W	mN.m	g.cm	A
RF-500TB-12560	1.5~12.0	6V	2700	0.020	2180	0.084	1.13	11.6	0.26	5.88	60	0.35
		9V	4000	0.023	3300	0.11	1.55	15.8	0.53	8.92	91	0.52
RF-500TB-14415	1.5~9.0	3V	1800	0.022	1430	0.085	0.82	8.4	0.12	4.02	41	0.33
		6V	3700	0.028	3060	0.13	1.42	14.4	0.45	8.24	84	0.65