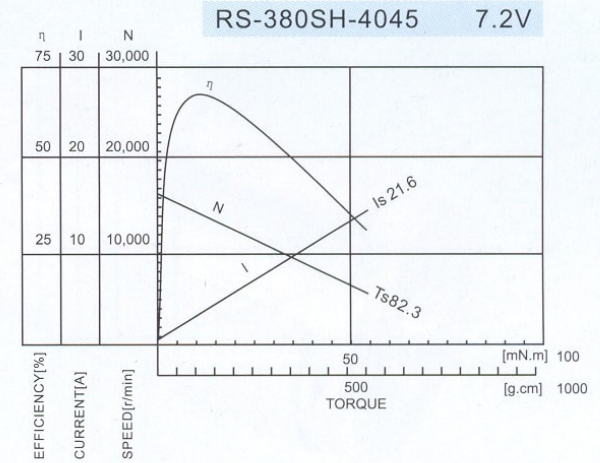


WEIGHT:71g(APPROX)



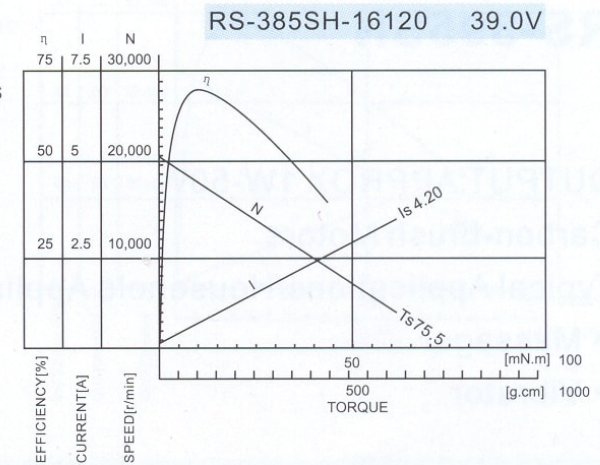
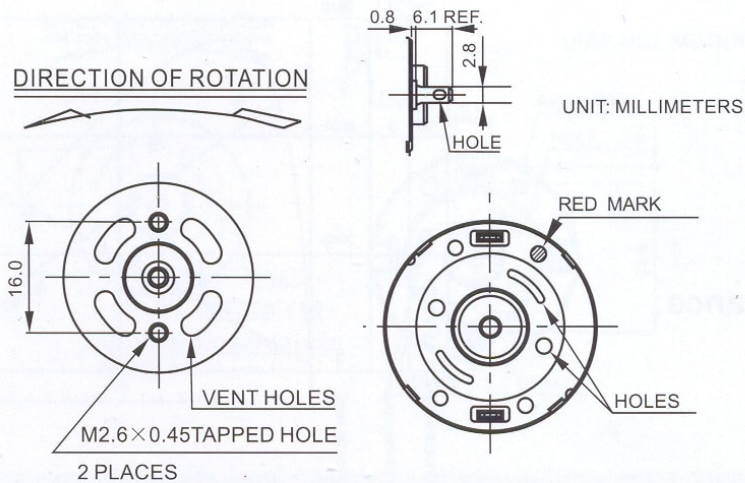
RS-380/385SH

OUTPUT:APPROX 0.9W-4.0W

Carbon-brush Motors

Typical Applications/Home Appliances:

- Vacuum Cleaner:
- Cordless Power Tools
- Drill & Screwdriver



MODEL	VOLTAGE		NO LOAD		AT MAXIMUM EFFICIENCY				STARTING			
	OPERATING RANGE	NOMINAL	SPEED	CURRENT	SPEED	CURRENT	TORQUE		OUTPUT	TORQUE		CURRENT
			r/min	A	r/min	A	mN.m	g.cm	W	mN.m	g.cm	A
RS-380SH-4045	3~9	7.2V	16200	0.50	14060	3.29	10.9	111	16.0	82.3	840	21.6
RS-385SH-16120	12~40	39V	20500	0.15	17240	0.79	12.0	122	21.6	75.5	770	4.20