

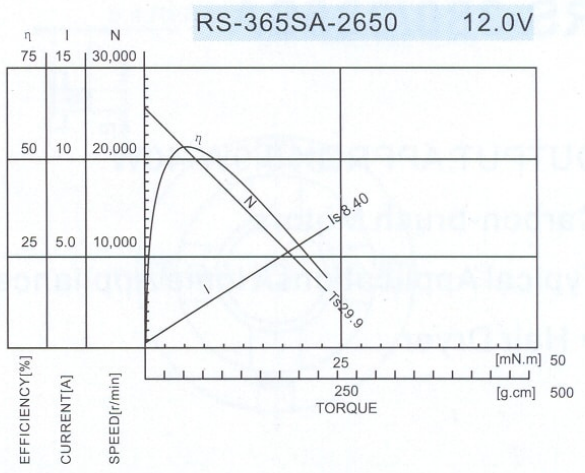
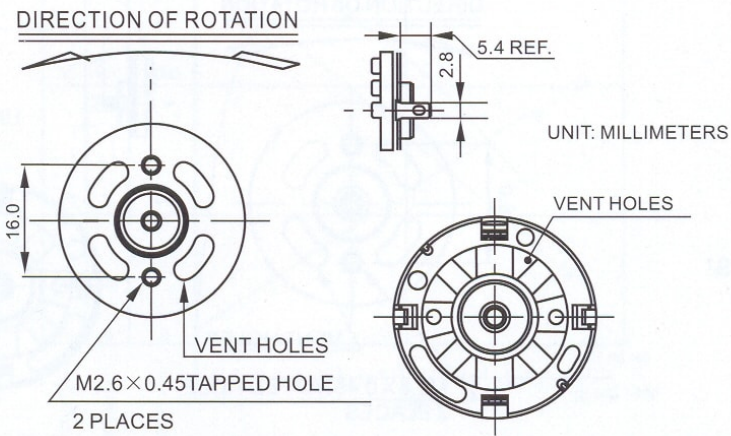
# RS-360/365SA

OUTPUT: APPROX 0.7W-30W

Carbon-brush Motors

Typical Applications/Home Appliances:

- Air Compressor
- Hair Dryer
- Massager / Vibrator



MODEL	VOLTAGE		NO LOAD		AT MAXIMUM EFFICIENCY				STARTING			
	OPERATING RANGE	NOMINAL	SPEED	CURRENT	SPEED	CURRENT	TORQUE		OUTPUT	TORQUE		CURRENT
			r/min	A	r/min	A	mN.m	g.cm	W	mN.m	g.cm	A
RS-360SA-2885	3~8	6V	13700	0.38	11210	1.71	4.64	47.2	5.43	25.5	260	7.70
RS-365SA-2650	3~12	12V	25500	0.40	20930	1.83	5.36	54.6	11.7	29.9	305	8.40