



FSY48X05L(M)(H) FSY48X12L(M)(H) FSY48X24L(M)(H)

Features

Size: 40×40×28mm(1.57×1.57×1.10in)

Frame/Impeller: Reinforced Plastic UL94V-0

Bearings: Ball Bearing&Sleeve Bearing

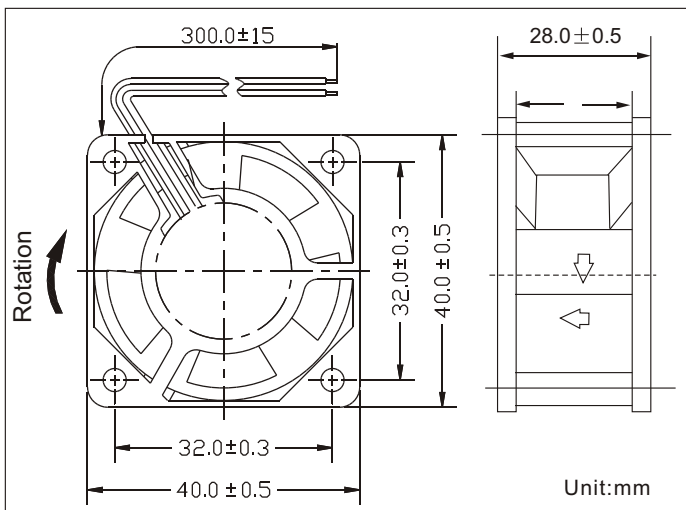
Life Expectancy:50,000 Hours at 20°C-Ball
30,000 Hours at 20°C-Sleeve

Approvals: UL CUL TUV CE RoHS

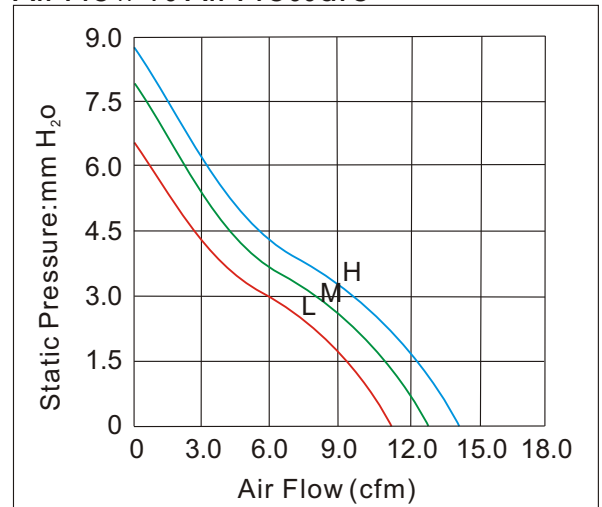
Weight: 35g

  E318377 CE TUV AE50078978

▪ RoHS Compliant



Air Flow vs Air Pressure



Performance

Model	Bearing System X			Rated Voltage (V)	Current (A)	Input Power (W)	Nominal Speed (R.P.M)	Air Flow (CFM)	Air Pressure (mm-H ₂ O)	Noise (dBA)
	S	B	D							
FSY48X12L	✓	✓	✓	12	0.18	2.16	8000	11.45	6.85	34
FSY48X12M	✓	✓	✓	12	0.25	3.00	9000	12.88	7.71	36
FSY48X12H	✓	✓	✓	12	0.35	4.20	10000	14.31	8.55	38
FSY48X24L	✓	✓	✓	24	0.12	2.88	8000	11.45	6.85	34
FSY48X24M	✓	✓	✓	24	0.18	4.32	9000	12.88	7.71	36
FSY48X24H	✓	✓	✓	24	0.25	6.00	10000	14.31	8.55	38

Product specification contained herein may be changed without prior notice.

It is therefore advisable to contact FONSONING ELECTRONICS before proceeding with the design of equipment incorporating this product.