



## FSY62X12L(M)(H) FSY62X24L(M)(H)

### Features

Size: 60×60×20mm(2.36×2.36×0.79in)

Frame/Impeller: Reinforced Plastic UL94V-0



Bearings: Ball Bearing&Sleeve Bearing

Life Expectancy:50,000 Hours at 20°C-Ball

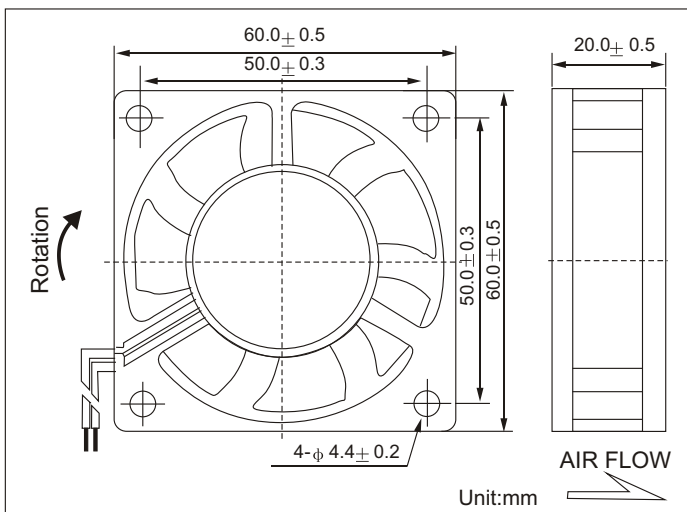
30,000 Hours at 20°C-Sleeve

Approvals: UL CUL TUV CE RoHS

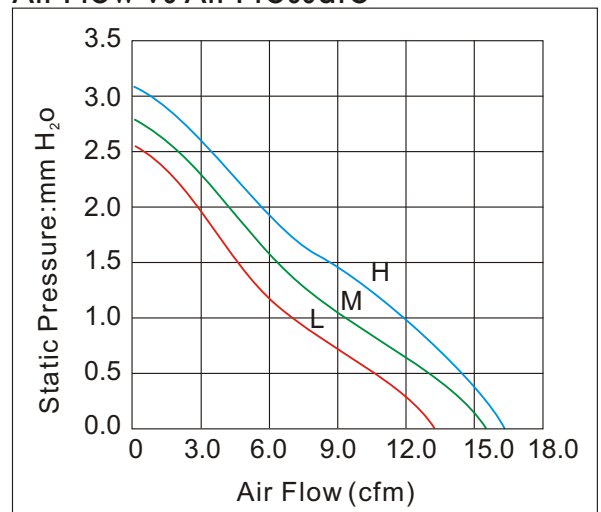
Weight: 45g



 E318377 CE TUV AE50078978

▪ RoHS Compliant



### Air Flow vs Air Pressure



### Performance

Model	Bearing System X			Rated Voltage (V)	Current (A)	Input Power (W)	Nominal Speed (R.P.M)	Air Flow (CFM)	Air Pressure (mm-H <sub>2</sub> O)	Noise (dBA)
	S	B	D							
FSY62X12L	✓	✓	✓	12	0.10	1.20	3500	13.15	2.52	27
FSY62X12M	✓	✓	✓	12	0.15	1.80	4000	15.02	2.80	31
FSY62X12H	✓	✓	✓	12	0.20	2.40	4500	16.71	3.18	33
FSY62X24L	✓	✓	✓	24	0.06	1.44	3500	13.15	2.52	27
FSY62X24M	✓	✓	✓	24	0.08	1.92	4000	15.02	2.80	31
FSY62X24H	✓	✓	✓	24	0.10	2.40	4500	16.71	3.18	33

Product specification contained herein may be changed without prior notice.

It is therefore advisable to contact FONSONING ELECTRONICS before proceeding with the design of equipment incorporating this product.