

120X120X25 mm

KF1225-01 Series



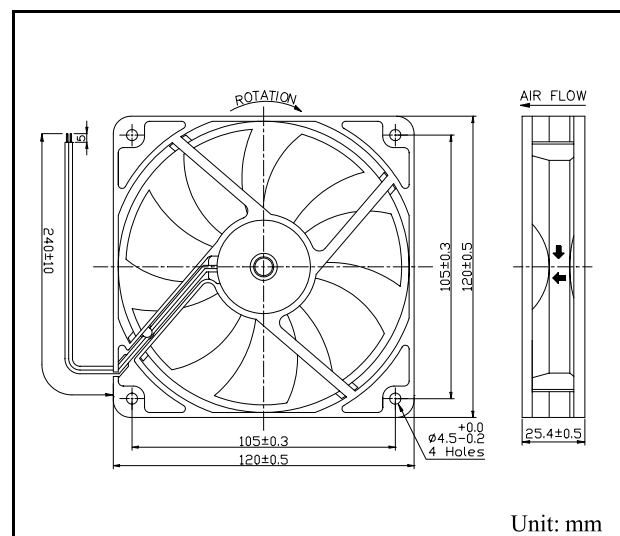
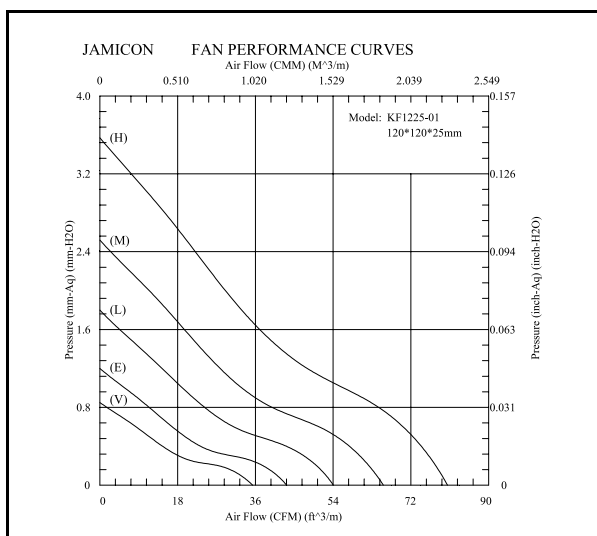
- **Frame** : Plastic Material UL 94V-0
- **Impeller** : Plastic Material UL 94V-0
- **Speed Range** : $\pm 10\%$

SPECIFICATIONS

Model	Bearing	Rated Voltage (V)	Operating Voltage (V)	Air Flow (CFM)	Static Pressure (inchH ₂ O)	Speed (R.P.M.)	Input Current (Amp)	Input Power (Watt)	Nominal Current (Amp)	Noise (dBA)	Weight (g)
KF1225-1HR01	B, H, S	12	10.2 ~ 13.8	80.49	0.141	2200	0.30	3.60	0.35	38.5	126
KF1225-1M-01				65.63	0.099	1800	0.19	2.28	0.20	32.5	
KF1225-1L-01				54.05	0.071	1500	0.13	1.56	0.14	27.4	
KF1225-1E-01				43.23	0.047	1200	0.07	0.84	0.09	21.4	
KF1225-1V-01				35.37	0.033	1000	0.06	0.72	0.07	15.5	
KF1225-2HR01	B, H, S	24	20.4 ~ 27.6	80.49	0.141	2200	0.18	4.32	0.20	38.5	
KF1225-2M-01				65.63	0.099	1800	0.12	2.88	0.13	32.5	
KF1225-2L-01				54.05	0.071	1500	0.08	1.92	0.09	27.4	

Specifications subject to change without notice

The 7TH character of Model No means the bearing code. Please refer to the page "PART NUMBER SYSTEM". Please contact us for detail if your request bearing system is not shown in the above list.



Unit: mm