

SPECIFICATION

FOR APPROVAL

Customer : _____

Product Name : Sensor _____

Model Name : KPUS-25T-16T-487 _____

Drawing No. : VS20210907021 _____

Signature of Voise

Approved by	Checkde by	Issued by	Date

 福爱斯电子有限公司
VOISE ELECTRONICS CO.,LTD.

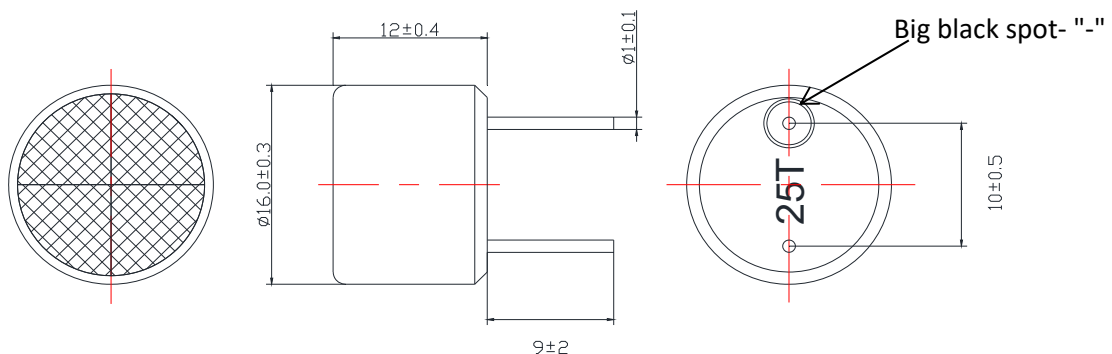
Address:No 96 Mogao Dongqian Lake Industrial Area ningbo,China,
Tel:0086-0574-87773030;Fax:0086-0574-87471600 P.C.315121
<http://www.nbvoise.com> Email:sales@nbvoise.com

Specification for Sensor		Page	2/4
		Revision No.	1.0
Model No.:	KPUS-25T-16T-487	Drawing No.	VS20210907021

ELECTRICAL SPECIFICATION

No	Items	Specification
1	Construction	Open
2	Using Method	Transmitter
3	Center frequency(KHz)	25±1 KHZ
4	Beam Angle(-6dB)	55°
5	Transmitting Sound Pressure Level	≥ 115dB (10V/30cm/sine wave)
6	Insulation Resistance	100 MΩ min (at 50V D.C.)
7	Capacitance(pF)	2100±20% @100Hz
8	Allowable Maximum Input Voltage(Vp-p)	100V (25KHz)
9	Detectable range	12 m
10	Operating Temperature	-30~ +85(°C)
11	Storage Temperature	-30~ +95(°C)
12	Material	AL

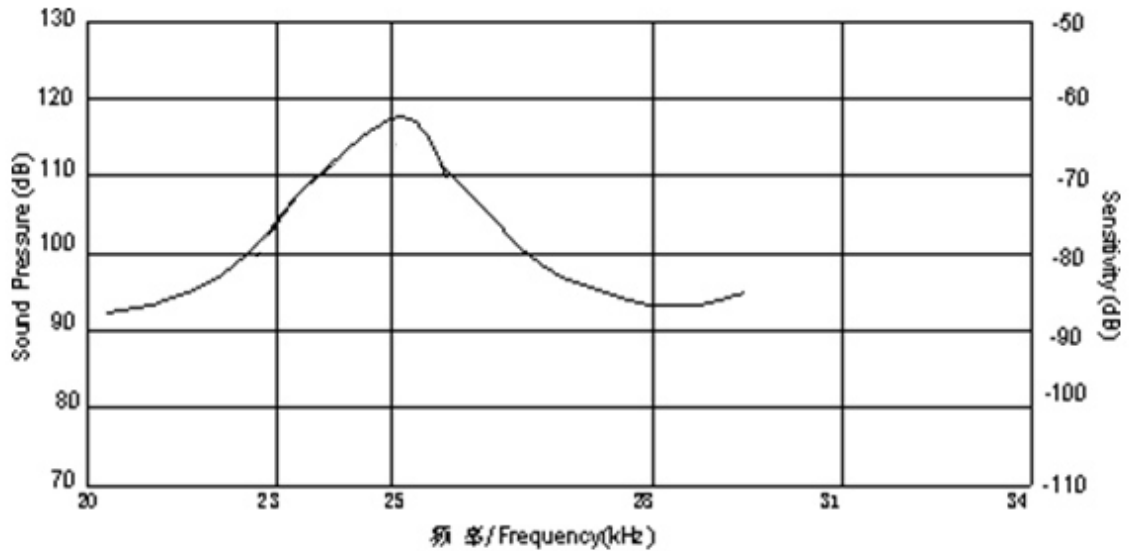
APPEARANCE AND DIMENSIONS



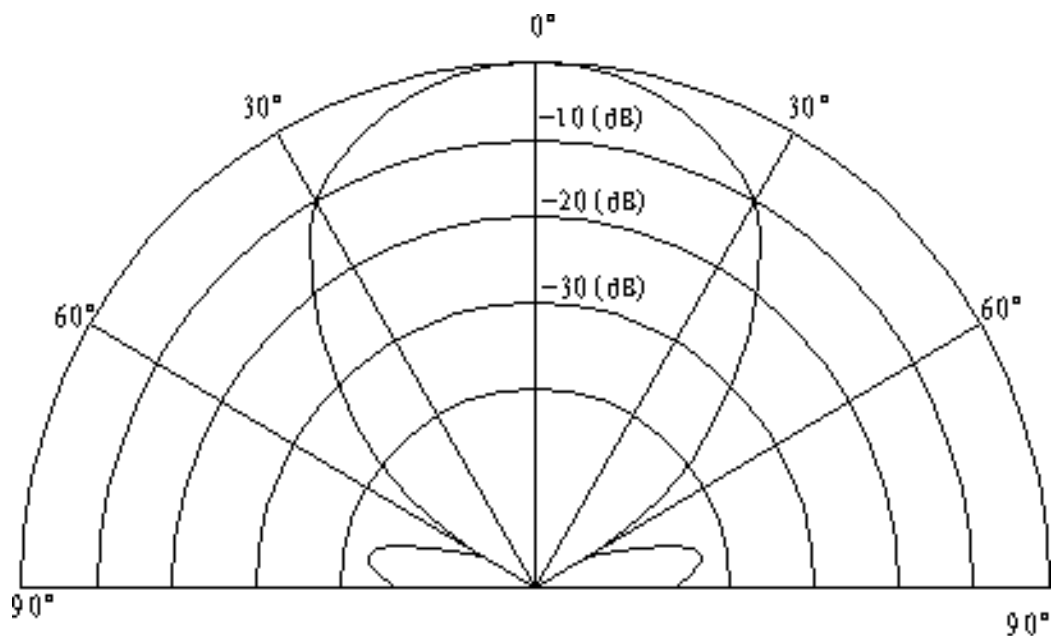
Unspecified tolerance: ±0.5mm

Specification for Sensor		Page	3/4
		Revision No.	1.0
Model No.:	KPUS-25T-16T-487	Drawing No.	VS20210907021

Beam Pattern



频率特性图/Frequency Characteristics

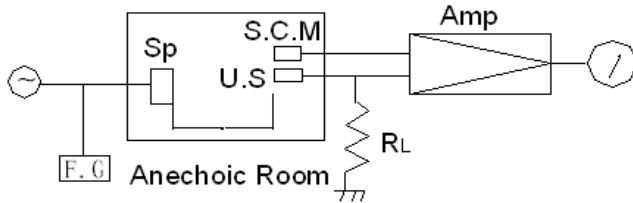


Directivity in Overall Sensitivity

Specification for Sensor		Page	4/4
		Revision No.	1.0
Model No.:	KPUS-25T-16T-487	Drawing No.	VS20210907021

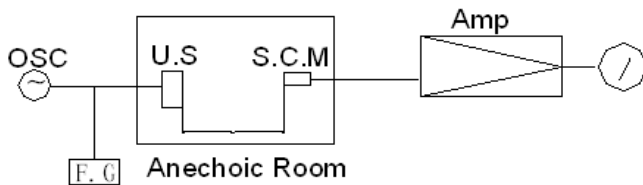
Test Circuit

Receiver



RL: 3.9KΩ
 U.S. :Ultrasonic Sensor
 S.C.M:Standard Cappable Microphone
 Amp. :Amplifier
 OSC. :Oscillator
 Sp :Tweeter
 F.C. :Frequency Counter

Transmitter



U.S. :Ultrasonic Sensor
 S.C.M:Standard Cappable Microphone
 Amp. :Amplifier
 Input voltage:10Vrms
 F.C. :Frequency Counter

Revision

Rev.No.	Date	Page	Description of Revision
1.0	2021/9/7		Preliminary