



广州市番禺奥迪威电子有限公司
Audiowell Electronics (Guangzhou) Co., Ltd.
 地址: 中国广东省广州市番禺区迎宾路东升工业区 邮政编码: 511400
 Add: Dongsheng Industrial Park, Yingbin Road, Panyu, Guangzhou 511400, China
 Tel: +86-20-84802041 84802405 84871596 34516785 Fax: 84665207



超 声 波 雾 化 片

Ultrasonic Piezoelectric Atomizing Transducer

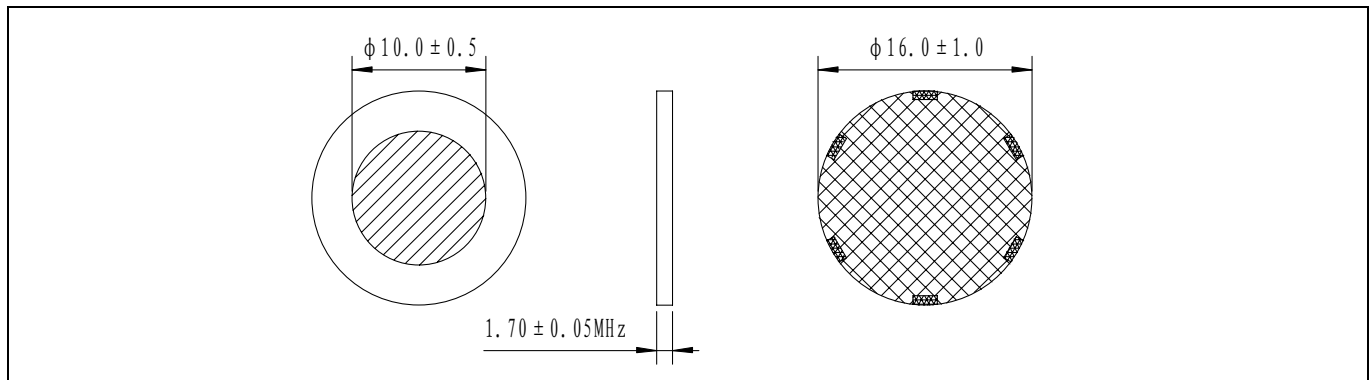
本公司的超声波雾化片技术, 与传统的以镍或钛为电极的雾化片相比, 我们的特殊保护电极在耐酸、耐碱、耐空化腐蚀方面性能优越, 具有电极强度高, 不易结垢, 实际使用寿命长的特点。

we are producing ultrasonic piezoelectric atomizing transducers of compact and higher performances. Our specially electrode protection layer of the transducer is far superior to Nickel or Titanium electrode used in traditional transducers, it has more advantages in withstanding acid, alkaline and cavitation corrosion, so it features higher strength, less water scale, and longer lifetime

- 1、品名(Name) : **HN007**
- 2、产品型号(Model) : **AW8Y16120B2**
- 3、性能参数(Electrical specification):

项目 Item	单位 Unit	标 准 Standard	测试条件(Test condition): T=25℃
谐振频率(Ft) Thick resonant frequency	MHz	1.70±0.05	HP4294A
谐振阻抗(R) Resonant impedance	Ω	≤2.0	HP4294A
静电容量(C ₀) Static capacitance	pF	1300±20%	数字电桥 At 1000Hz/1V Digital electric bridge At 1000Hz/1V
机电耦合系数(Kt) Electrical-mechanical coupling coefficient		≥0.45	HP4294A (Fs3/Fs1 查表值)
寿命 Life times	Hour	3000	

- 4、外观尺寸(Appearance and dimensions): 计量单位(Unit): mm



- 5、包装(Package):

片/箱 PCS	FP20 泡沫盘 (cm)	FP20 纸箱 (cm) (外尺寸) Size	毛重 (Kg) Gross weight	净重 (Kg) Net weight
4000	34.3*27*3.0	36.0*28.5*14.0	9.0	7.5

制作/日期 Accomplished by / Date		确认/日期 Approved by / Date	
---------------------------------	--	-----------------------------	--