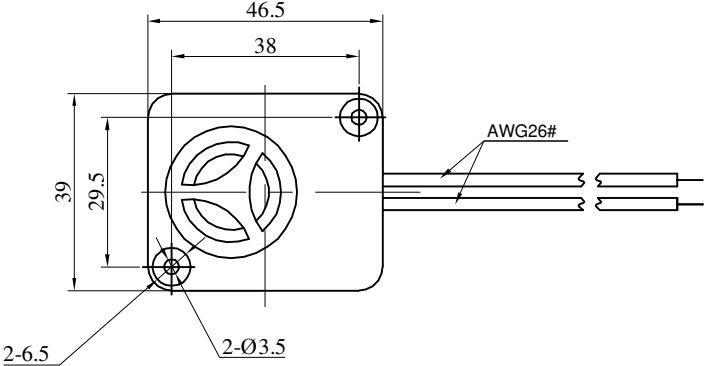
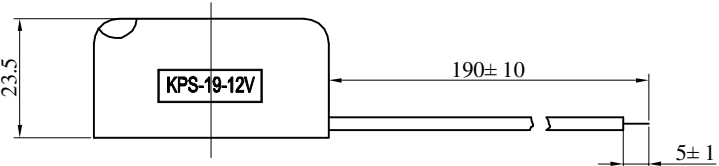


Specification

(Test Condition, 25 °C)



- 1. Rated Voltage.....12VDC
- 2. Operating Voltage.....6~15VDC
- 3. Max. Rated Current.....130mA at 12VDC
- 4. Min. Sound Pressure Level.....108dB at 12VDC/30cm
- 5. Tone Nature.....Siren
- 6. Case Material.....ABS
- 7. Operating Temperature.....-20~+60°C
- 8. Store Temperature.....-30~+70°C
- 9. Wires ConnectionRed +12V
.....Black GND
- 10. Weight.....35g



				KEPO NINGBO KEPO ELECTRONIC CO.,LTD http://www.chinaacoustic.com	
No.	DESCRIPTION	APPROVED	DATE	Piezo Siren QUARTZ-1	
TOLERANCES UNLESS NOTED OTHERWISE				KPS-19-1983	
X = .XX = .XXX =		APPROVALS		UNIT	DWG NO.
90° FORMED +2° ANGLES -1°		DRAWN		mm	OEM1983
FIRST ANGLE PROJECTION		CHECKED		SCALE	SHEET
		APPROVED		NOT TO SCALE	VER 1.0
			05.12.20		