

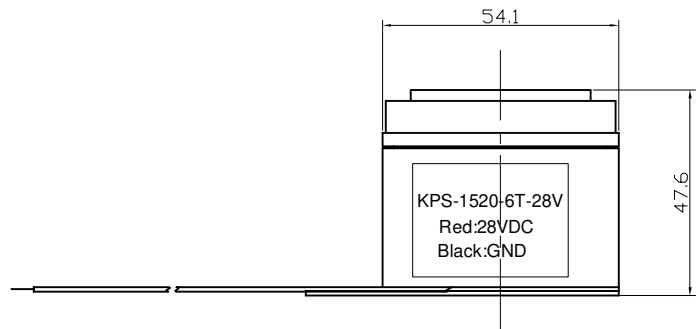
1 2 3 4 5 6 7 8

A

A

B

B



SPECIFICATION

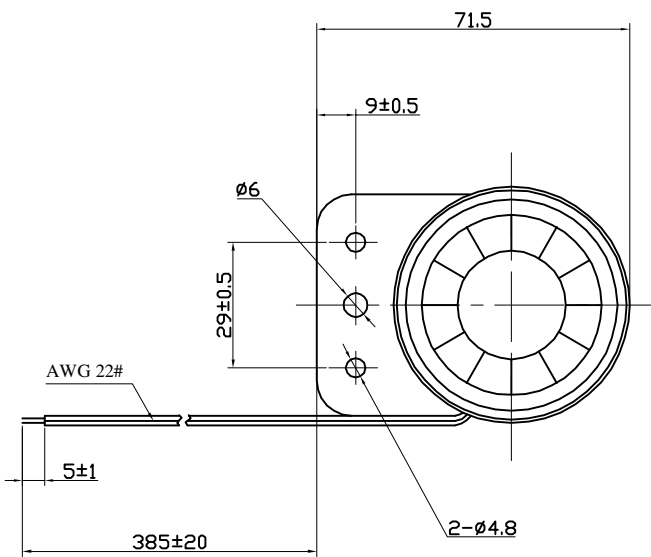
- 1. Rated Voltage28VDC
- 2. Operating Voltage18~30VDC
- 3. Max. Rated Current250mA/28VDC
- 4. Min. Sound Pressure Level.....100dB/100cm/28VDC
- 5. Tone Nature6Tone
- 6. Case MaterialABS
- 7. Operating Temperature-20~+60°C
- 8. Store Temperature-30~+65°C
- 9. Weight80g

C

C

D

D



E

E

F

F

1 2 3 4 5 6 7 8

				KEPO NINGBO KEPO ELECTRONIC CO.,LTD http://www.chinaacoustic.com	
				Electronic siren	
				KPS-1520-6T-28V	
No.	DESCRIPTION	APPROVED	DATE		
TOLERANCES UNLESS NOTED OTHERWISE: X ± XX ± XXX ± 90° FORMED +2° ANGLES -1°		APPROVALS	DATE	UNIT	DWG. NO.
FIRST ANGLE PROJECTION		DRAWN		mm	KP3.842.494.01
		CHECKED		SCALE	SHEET
		APPROVED	07.04.06	NOT TO SCALE	VER 1.1