

# SPECIFICATION

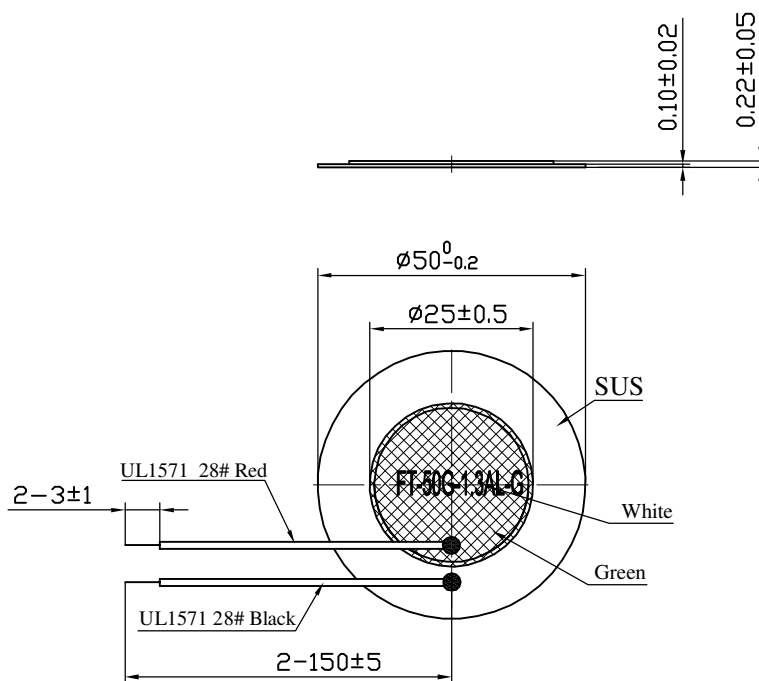
## 1. SCOPE

This specification is applied to the piezo-element.

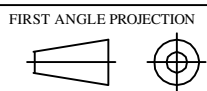
## 2. SPECIFICATION

(at 25°C)

2.1 Resonant Frequency	:	1.3 ± 0.8 KHz
2.2 Resonant Resistace	:	500 Ω max
2.3 Capacitance	:	80000 pF ± 30% at 100Hz
2.4 Input Voltage	:	30 Vp-p max
2.5 Operating Temperature	:	-20~+60°C
2.6 Storage Temperature	:	-20~+70°C
3. DIMENSION	:	as per figure



TOLERANCES UNLESS NOTED OTHERWISE .X ± .XX ± .XXX ± 90° FORMED +2° ANGLES -1°	DRAWN		KEPO MODEL NO.	CUSTOMER <b>QUARTZ-1</b>			
	DESIGN		<b>FT-50G-1.3AL150-G</b>	CUSTOMER NO.			
	CHECKED			DWG NO.			
	APPROVED		<b>OEM2090</b>	VER	<b>1.0</b>	SCALE	
	DATE	<b>06.0310</b>		UNIT	mm	SHEET	
	CONTRACT NO.		KEPO CO.,LTD.	TEL:(+86)574-88370330			
AGENCY APPROVAL		FAX:(+86)574-88370329					



1

2

3

4