

SPECIFICATION

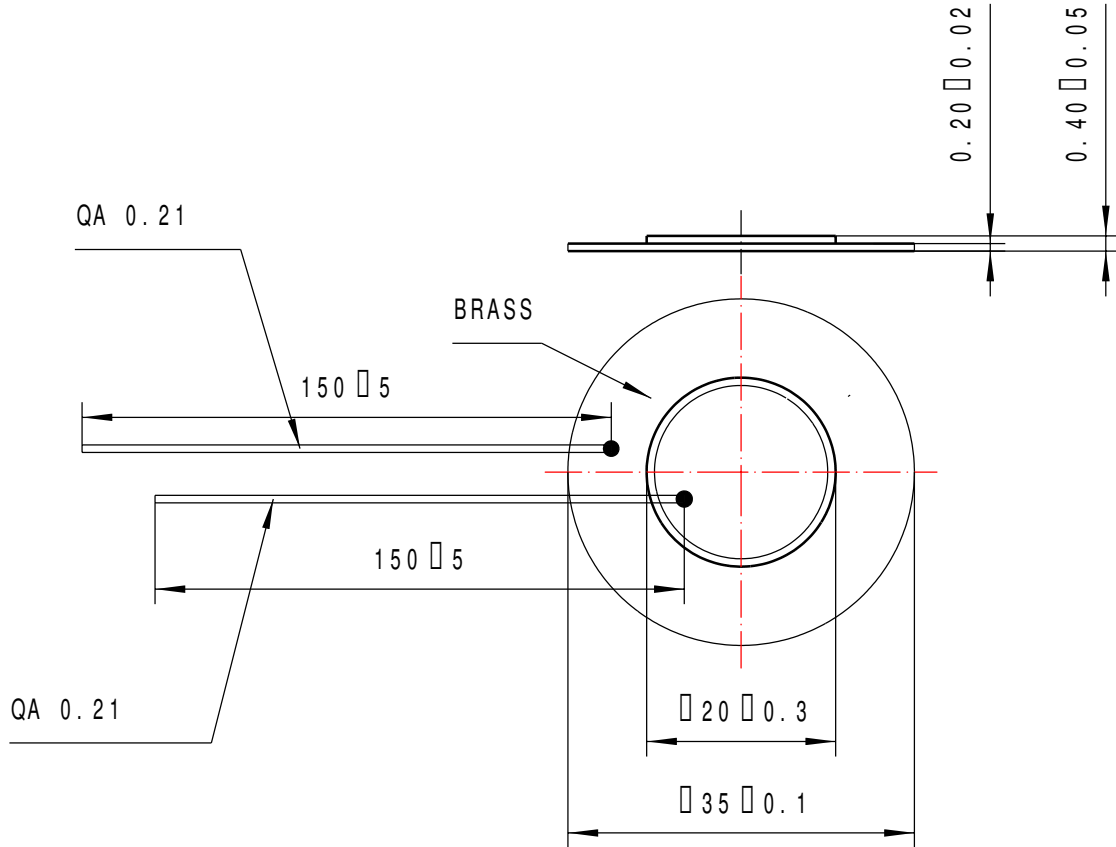
1. SCOPE

This specification is applied to the piezo-element.

2. SPECIFICATION (at 25 °C)

- 2.1 Resonant Frequency : 5.6 ± 1.0 KHz
- 2.2 Resonant Resistance : 500 Ω max
- 2.3 Capacitance : 25000 pF ± 30% at 100Hz
- 2.4 Input Voltage : 30 Vp-p max
- 2.5 Operating Temperature : -20 ~ +50 °C
- 2.6 Storage Temperature : -20 ~ +70 °C

3. DIMENSION as per figure



TOLERANCES UNLESS NOTED OTHERWISE .X □ .XX □ .XXX □ 90° FORMED +2° ANGLES -1°		SIGN	DATE	KEPO MODEL NO.	CUSTOMER				
		PREP.	03. 09. 24	PIEZOELECTRIC ELEMENT	大洋				
		ENG.			CUSTOMER NO.				
		QA.			TCA1075- A/ KA				
		PROJ.			OEM183		REV	1. 1	SHEET
	CONTRACT NO.				UNIT:	mm	SCALE		
FIRST ANGLE PROJECTION		AGENCY APPROVAL		KEPO CO. LTD.		TEL: (+86)574-88370330 FAX: (+86)574-88370329			