

SPECIFICATION

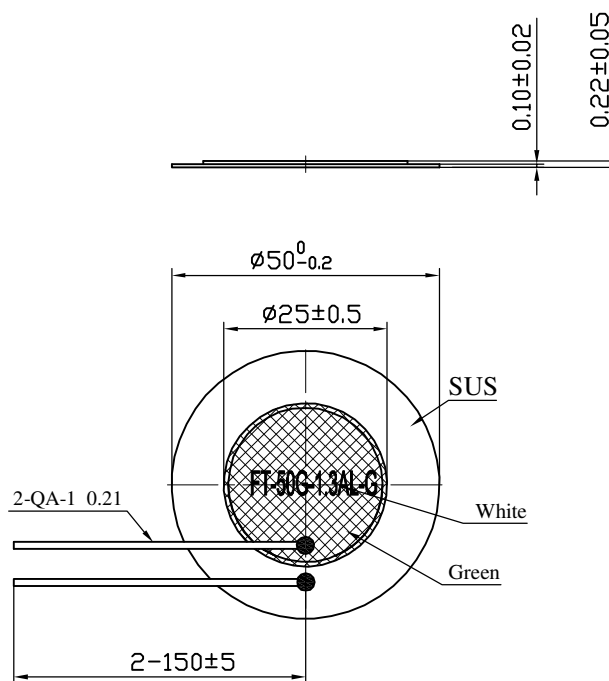
1. SCOPE

This specification is applied to the piezo-element.

2. SPECIFICATION

(at 25°C)

2.1 Resonant Frequency	:	1.3 ± 0.8 KHz
2.2 Resonant Resistace	:	500 Ω max
2.3 Capacitance	:	80000 pF ± 30% at 100Hz
2.4 Input Voltage	:	30 Vp-p max
2.5 Operating Temperature	:	-20~+60°C
2.6 Storage Temperature	:	-20~+70°C
3. DIMENSION	:	as per figure



TOLERANCES UNLESS NOTED OTHERWISE .X ± .XX ± .XXX ± 90° FORMED +2° ANGLES -1° FIRST ANGLE PROJECTION 	DRAWN		KEPO MODEL NO.	CUSTOMER QUARTZ-1				
	DESIGN		FT-50G-1.3AL150-G-1	CUSTOMER NO.				
	CHECKED			DWG NO.				
	APPROVED		OEM2091		VER	1.0	SCALE	
	DATE	06.0310			UNIT	mm	SHEET	
	CONTRACT NO.		KEPO CO.,LTD.		TEL:(+86)574-88370330			
AGENCY APPROVAL		FAX:(+86)574-88370329						

1

2

3

4