

受 控

SPECIFICATION

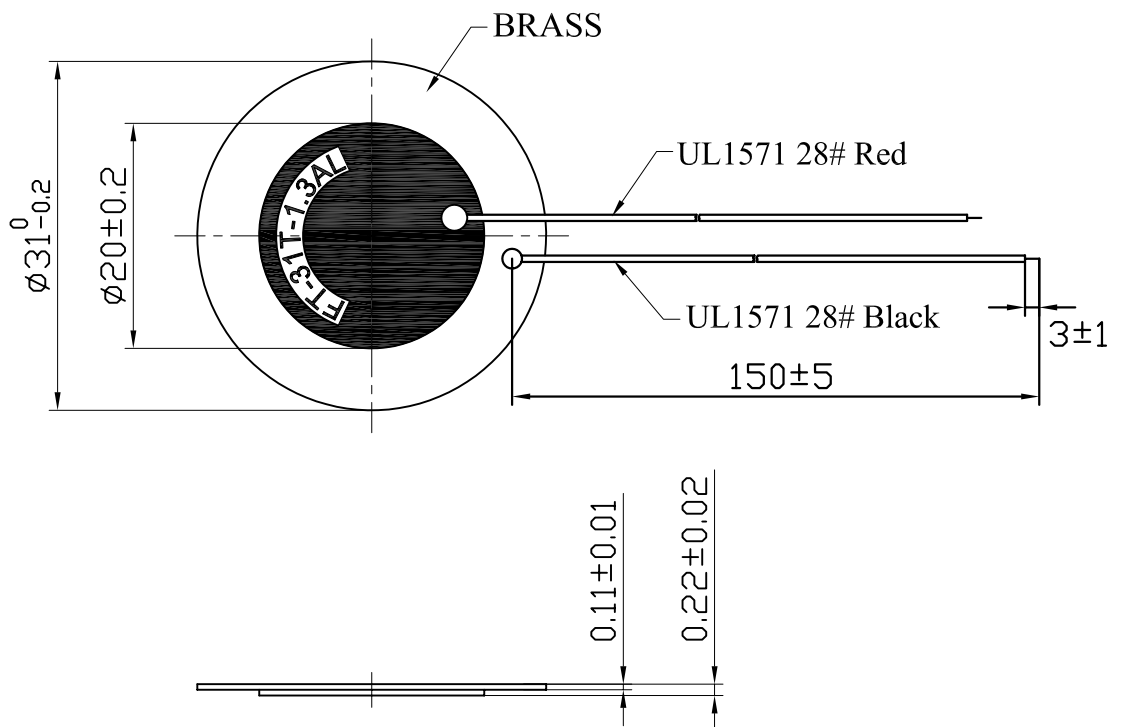
1. SCOPE

This specification is applied to the piezo-element.

2. SPECIFICATION

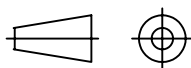
(at 25°C)

- | | | |
|---------------------------|---|-----------------------|
| 2.1 Resonant Frequency | : | 1.3±0.5 KHz |
| 2.2 Resonant Resistace | : | 500 Ω max |
| 2.3 Capacitance | : | 60000 pF±30% at 100Hz |
| 2.4 Input Voltage | : | 30 Vp-p max |
| 2.5 Operating Temperature | : | -20~+50°C |
| 2.6 Storage Temperature | : | -20~+70°C |
| 3. DIMENSION | : | as per figure |



Notes: The piezo element is with green coating

TOLERANCES UNLESS NOTED OTHERWISE .X ± .XX ± .XXX ± 90° FORMED +2° ANGLES -1°	DRAWN	汪逸	KEPO MODEL NO.	CUSTOMER				
	DESIGN		FT-31T-1.3AL150-G-1924	QUARTZ-1				
	CHECKED			CUSTOMER NO.				
	APPROVED	徐锦生	DWG NO.		VER	1.3	SCALE	
	DATE	11.12.14	OEM1924		UNIT	mm	SHEET	
	CONTRACT NO.				KEPO CO.,LTD. TEL:(+86)574-88370330 FAX:(+86)574-88370329			
FIRST ANGLE PROJECTION		AGENCY APPROVAL						



1

2

3

4