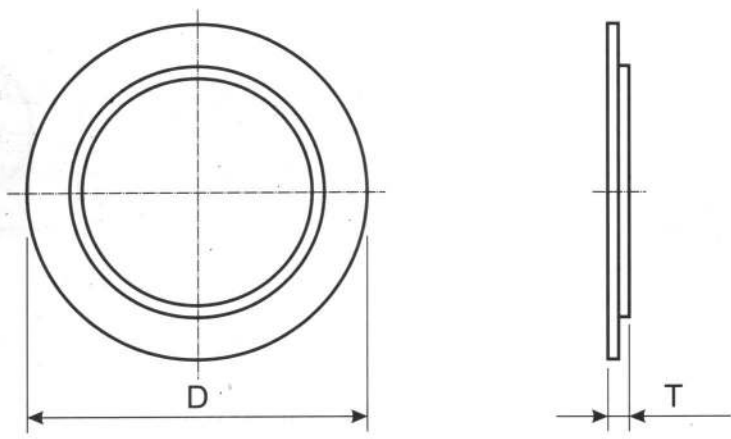


PIEZO CERAMIC ELEMENT

| Type | Resonant Frequency (KHz) | Resonant Impedance (Ω max) | Capacitance (PF at 1KHz) | Input Voltage (Vp-p max) | D (mm) | T (mm) |
|---------------|--------------------------|------------------------------------|--------------------------|--------------------------|--------|--------|
| MT-12T-12.5A1 | 11.2 12,5 | 800 | 5000 | 30 | 12 | 0.45 |
| MT-15T-11.2A1 | 11.2 | 500 | 9000 | 30 | 15 | 0.45 |
| MT-20G-6.5A1 | 6.5 | 250 | 15000 | 30 | 20 | 0.45 |
| MT-20T-6.5A1 | 6.5 | 250 | 15000 | 30 | 20 | 0.45 |
| MT-22G-6.5A1 | 6.5 | 250 | 15000 | 30 | 22 | 0.45 |
| MT-22T-6.5A1 | 6.5 | 250 | 15000 | 30 | 22 | 0.45 |
| MT-25T-4.5A1 | 4.5 | 250 | 25000 | 30 | 25 | 0.45 |
| MT-25G-2.8A1 | 2.8 | 230 | 25000 | 30 | 25 | 0.45 |
| MT-27T-4.0A1 | 4.0 | 300 | 25000 | 30 | 27 | 0.45 |
| MT-27G-2.6A1 | 2.6 | 300 | 25000 | 30 | 27 | 0.45 |
| MT-29T-4.0A1 | 4.0 | 300 | 25000 | 30 | 29 | 0.45 |
| MT-29G-4.0A1 | 4.0 | 300 | 25000 | 30 | 29 | 0.45 |
| MT-31T-3.2A1 | 3.2 | 150 | 45000 | 30 | 31 | 0.45 |
| MT-31G-3.2A1 | 3.2 | 150 | 45000 | 30 | 31 | 0.45 |
| MT-35T-2.8A1 | 2.8 | 150 | 45000 | 30 | 35 | 0.45 |
| MT-35G-2.8A1 | 2.8 | 150 | 45000 | 30 | 35 | 0.45 |
| MT-40T-2.8A1 | 2.8 | 150 | 45000 | 30 | 40 | 0.45 |
| MT-40G-2.8A1 | 2.8 | 150 | 45000 | 30 | 40 | 0.45 |
| MT-43G-2.8A1 | 2.8 | 150 | 45000 | 30 | 43 | 0.45 |
| MT-43T-2.8A1 | 2.8 | 150 | 45000 | 30 | 43 | 0.45 |
| MT-50T-2.8A1 | 2.8 | 150 | 45000 | 30 | 50 | 0.45 |
| MT-50G-2.8A1 | 2.8 | 150 | 45000 | 30 | 50 | 0.45 |
| MTB-12T-7.2A1 | 7.2 | 400 | 8000 | 30 | 12 | 0.25 |
| MTB-15T-7.0A1 | 7.0 | 400 | 16000 | 30 | 15 | 0.25 |
| MTB-22T-3.5A1 | 3.5 | 250 | 15000 | 30 | 22 | 0.25 |
| MTB-20T-3.6A1 | 3.6 | 250 | 22000 | 30 | 20 | 0.25 |
| MTB-25T-2.8A1 | 2.8 | 230 | 40000 | 30 | 25 | 0.25 |
| MTB-27T-2.6A1 | 2.6 | 200 | 40000 | 30 | 27 | 0.25 |
| MTB-29T-2.6A1 | 2.6 | 200 | 40000 | 30 | 29 | 0.25 |
| MTB-31T-2.0A1 | 2.0 | 150 | 65000 | 30 | 31 | 0.25 |
| MTB-35T-2.0A1 | 2.0 | 150 | 65000 | 30 | 35 | 0.25 |



PART NUMBER:

MT B - 35 T - 2.6 A 1

- (1) (2) (3) (4) (5) (6) (7)
- (1) MOBICON TWEETER
- (2) B: SINGLE SIDE TWEETER SB: DOUBLE SIDE TWEETER
- (3) METAL PLATE DIAMETER
- (4) METALLIC MATERIAL T: BRASS G: STAINIESS STEEL H: ALLOY
- (5) RESONANT FREQUENCY
- (6) ELECTRODE FORM A: FULL ELECTRODE B: FEEDBACK
- (7) PRODUCT CONSTRUCTION 1: PLANE 2: PLATE STRUCTURE